

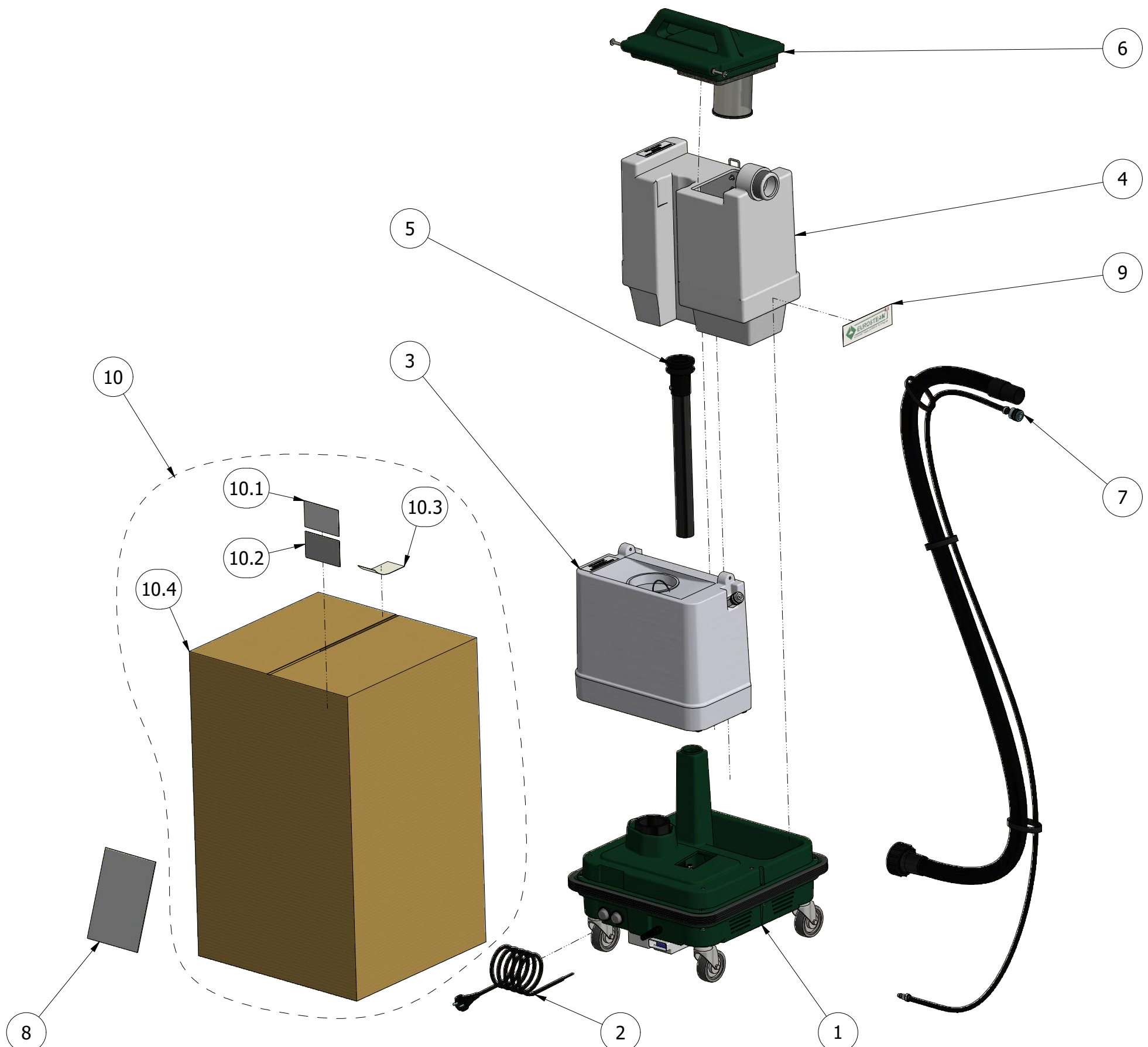
15-120-01523000

EXTRACTOR ES15S 230V 1300W 15L
MEMBRANE PUMP EUR

15-120-01523000

INJ-EXT ES15S 230V 1300W 15L
EUR ****LISTE DES PIECES / PARTS LIST**

N°	Qt.	Réf. Interne	Réf. Commercial	Description	Description
1	1	45-160-01591900	N/C	EMBASE ES15S 230V 1300W EUR COMPLETE *	N/C
2	1	55-160-02704700	49-140-02704700	CORDON ALIM. 2x1 ² L.10M EUR	ELECTRIC CABLE 2x1 ² mm L. 10M EUR
3	1	45-125-01590200	N/C	RESERVOIR EAU PROPRE ES15 S COMPLET *	N/C
4	1	45-125-01091800	49-105-01091800	RESERVOIR EAU SALE ES10 - ES10 S COMPLET *	RECOVERY TANK ES10 ASS.
5	1	45-230-01592300	N/C	TUBE DEPRESSION & JOINT 395 mm ES15.2S *	N/C
6	1	45-140-01091100	49-150-01091100	COUVERCLE ES10S -15S -15.2S COMPLET *	TOP COVER ES10S - ES15S - ES15.2S COMPLETE *
7	1	45-155-00996700	49-175-00996700	FLEXIBLE INJ-EXT Ø32 L 2.2M COMPLET *	VACUUM HOSE & SPRAY Ø32 L. 2.2M COMPLETE
8	1	61-130-01510100	N/C	MANUEL UTILISATEUR ES10S - ES15S - ES15.2S	
9	1	61-100-10031500	49-180-10031500	ETI.ADH. EUROSTEAM BLANC	STICKER EUROSTEAM
10	1	45-290-01510005	N/C	KIT CARTON 015100 *	N/C
10.1	1	61-110-00006200	N/C	ETIQUETTE COLIS 102x64	
10.2	1	61-110-00006400	N/C	ETIQUETTE N° SERIE BOITE 102x64	
10.3	1	56-120-99900640	N/C	ADH. EMB. PVC HAVANE 48mm x 100ML	N/C
10.4	1	56-100-01510001	49-160-01510001	CARTON ES15 470x450x740	BOX ES15 470x450x740

**EUROSTEAM**

165, Rue du Général de Gaulle BP1 - 76770 LE HOULME - France
Tél. 02 35 07 53 07 Fax. 02 35 88 77 38
email: info@eurosteam.fr Site Web: www.eurosteam.fr

PAGE
1 / 11

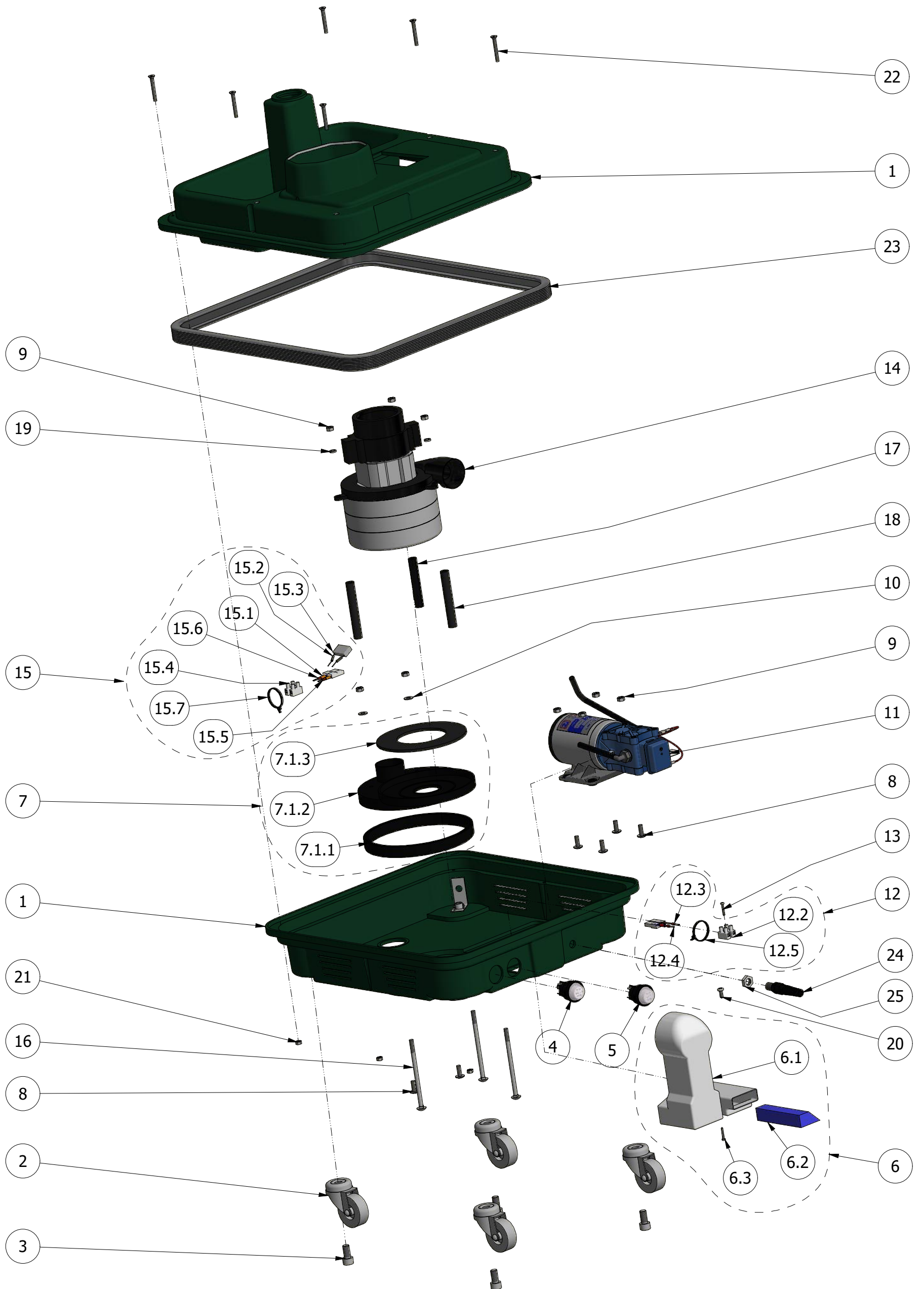
Modifié le : 01/01/2017
Édition : 12

49-285-01090100

MAIN FRAME ES10S 230V 1300W
MEMBRANE PUMP

45-160-01090100

BAC INFÉRIEUR ES10S 230V 1300W
POMPE A MEMBRANE *



EUROSTEAM

165, Rue du Général de Gaulle BP1 - 76770 LE HOULME - France
Tél. 02 35 07 53 07 Fax. 02 35 88 77 38
email: info@eurosteam.fr Site Web: www.eurosteam.fr

PAGE
2 / 11

Modifié le : 01/01/2017
Édition : 11

49-285-01090100

MAIN FRAME ES10S 230V 1300W
MEMBRANE PUMP

45-160-01090100

BAC INFERIEUR ES10S 230V 1300W
POMPE A MEMBRANE ***LISTE DES PIECES / PARTS LIST**

N°	Qt.	Réf. Interne	Réf. Commercial	Désignation	Description
1	1	45-105-01050600	49-225-01050600	DEFONÇAGE BAC INFERIEUR ES10 S *	MAIN FRAME ES10S 3 LEVELS MOTOR
2	4	70-110-01604100	49-230-01604100	ROUE Ø 50 PIVOT.BANDAGE CAOUT.	SWIVEL WHEEL WITH RUBBER BAND Ø50
3	4	75-140-01614100	49-275-01614100	VIS CHC M10x20 ZN ISO 4762	HSHC SCREW M10x20 ZN (X10)
4	1	45-145-01091500	49-140-01091500	INTERRUPTEUR ROND VACUUM ASSEMBLE *	VAC. ROUND SWITCH COMPLETE
5	1	45-145-01091600	49-140-01091600	INTERRUPTEUR ROND SPRAY ASSEMBLE *	SPRAY ROUND SWITCH COMPLETE
6	1	45-160-00993400	49-285-00993400	POT ECHAPPEMENT ES10S -15S -15.2S BLANC COMPLET *	WHITE MUFFLER ES10S-ES15S-ES15.2S COMPLETE
6.1	1	45-105-01550800	N/C	DEFONÇAGE POT ECHAPPEMENT ES10S - ES15S - ES15.2S *	N/C
6.2	1	66-110-00905700	49-195-00905700	MOUSSE PPI 10 100x50x20	RUBBER FOAM PPI
6.3	1	75-140-00905000	49-275-00905000	VIS TOLE CBLZ 2,9x19 ZN ISO 7049	SHEET METAL SCREW CBLZ ST 2.9x19 C ZN (X10)
7	1	45-160-00994500	49-285-00994500	EMBASE GROUPE ASS.+JOINT PLAT *	VACUUM MOTOR HOLDER ASSEMBLY
7.1	1	45-160-00991900	49-285-00991900	EMBASE GROUPE+JOINT ASSEMBLE *	EQUIPPED VACUUM BASE
7.1.1	1	45-165-00951500	49-285-00951500	JOINT PLAQUE SUPPORT MOTEUR *	GASKET PLATE HOLDER
7.1.2	1	62-100-00900500	49-100-00900500	EMBASE DE GROUPE	VACUUM BASE
7.1.3	1	63-100-00910600	49-185-00910600	JOINT PLAT Ø142x78mm EP.4mm	FLAT GASKET Ø142x78mm EP.4mm
8	6	75-140-00903000	49-275-00903000	VIS POELIER H M6x20 ZN	POELIER SCREW H M6x20 ZN (x10)
9	9	75-110-00902400	49-275-00902400	ECROU HU M6 INOX DIN 934	HU NUT M6 STAINLESS STEEL (x10)
10	2	75-130-01209500	49-275-01209500	RONDELLE PLATE M 6 INOX	FLAT WASHER M 6 STAINLESS (X10)
11	1	45-210-01090900	49-205-01090900	POMPE 230V 40W 2200Tr EXC.N°1 ES10 COMPLETE *	MEMBRANE PUMP 230V 40W 2200 Rpm EXC.N°1 ES10
12	1	45-145-00994300	49-140-00994300	DOMINO + 4 FILS GAINES ASSEMBLES *	DOMINO +4 CABLES ASSEMBLY
12.1	1	55-110-00016600	N/C	GAINES TRESSEE SILICO. ROUGE Ø4	N/C
12.2	1	45-145-00952600	49-140-00952600	TERMINAL 2 POLES 6mm ² *	
12.3	1	45-145-00904100	N/C	FIL MARRON 1 ² L. 170mm (1X6.35mm) *	N/C
12.4	1	45-145-00904200	N/C	FIL BLEU 1 ² L. 170mm (1X6.35) *	N/C
12.5	1	55-180-04008500	49-140-04008500	COLLIER COLRING 2,5x98 NOIR	BLACK COLRING COLLAR 2.5x98mm (X10)
13	1	75-140-00905000	49-275-00905000	VIS TOLE CBLZ 2,9x19 ZN ISO 7049	SHEET METAL SCREW CBLZ ST 2.9x19 C ZN (X10)
14	1	65-100-00903300	49-190-00903300	MOTEUR BP TANG 1300W 230V 3ETA	VACUUM MOTOR 230V TANG. 3 LEVELS BP 1300W Ø144
15	1	45-145-00998300	49-140-00998300	DOMINO + CONDO ASSEMBLE ES95-ES145 *	DOMINO + MOTOR CABLES + FILTER
15.1	2	45-145-00096600	N/C	GAINES VERNISSE ROUGE Ø 4 L. 420mm *	N/C
15.2	2	45-145-00794200	N/C	GAINES THERMO Ø 3.2mm L. 40mm *	N/C
15.3	1	55-120-00913500	49-140-00913500	CONDENSATEUR 0,22µF 275V	CAPACITOR 0.22µF 275V
15.4	1	55-140-02706900	49-140-02706900	DOMINO 2 PLOTS 4mm ²	DOMINO 2 SLOTS 4mm ² (X2)
15.5	1	45-145-01002700	N/C	FIL MARRON 1 ² L. 430mm (1X 6.35mm) *	N/C
15.6	1	45-145-01002800	N/C	FIL BLEU 1 ² L. 430mm (1X 6.35mm) *	N/C
15.7	1	55-180-04008500	49-140-04008500	COLLIER COLRING 2,5x98 NOIR	BLACK COLRING COLLAR 2.5x98mm (X10)
16	3	75-140-01002100	49-275-01002100	VIS RCC JAPY M6x110 ZN DIN 603	RCC SCREW JAPY M6x110 ZN (x3)
17	1	74-110-01706400	49-255-01706400	ENTRETOISE PVC 6,5x13x78 NOIRE	PVC BAR 6.5x13x78 BLACK (x2)
18	2	74-110-01706600	49-255-01706600	ENTRETOISE PVC 6,5x13x90 NOIRE	PVC BAR 6.5x13x90 BLACK (x2)
19	3	75-130-00906000	49-275-00906000	RONDELLE GROWER W6 BIC	FLAT WASHER GROWER W6 (x10)
20	1	75-140-01601900	49-275-01601900	VIS TOLE CBLZ 4,8x13 ZN ISO 7049	SHEET METAL SCREW CBLZ 4.8x13 C ZN (X10)
21	6	75-110-00203200	49-275-00203200	ECROU HU M5 INOX DIN 934	HU NUT M5 STAINLESS STEEL (X10)
22	6	75-140-01002200	49-275-01002200	VIS FHC M5x40 ZN ISO 10642	FHC SCREW M5x40 ZN (X10)
23	1	45-165-00950600	49-200-00950600	JOINT PARE CHOC Lg 1.58M ES95-ES145 *	ES95-145 BUMPER L 1,58M
24	1	55-180-10015300	49-140-10015300	MANCHON SERRE CABLE BS-M 12 XL	CABLE CLAMP BS-M 12 XL
25	1	55-180-10015400	49-140-10015400	ECROU 6 PANS M12	NUT 6 FACES M12 (x10)

EUROSTEAM165, Rue du Général de Gaulle BP1 - 76770 LE HOULME - France
Tél. 02 35 07 53 07 Fax. 02 35 88 77 38
email: info@eurosteam.fr Site Web: www.eurosteam.frPAGE
3 / 11Modifié le : 01/01/2017
Édition : 11

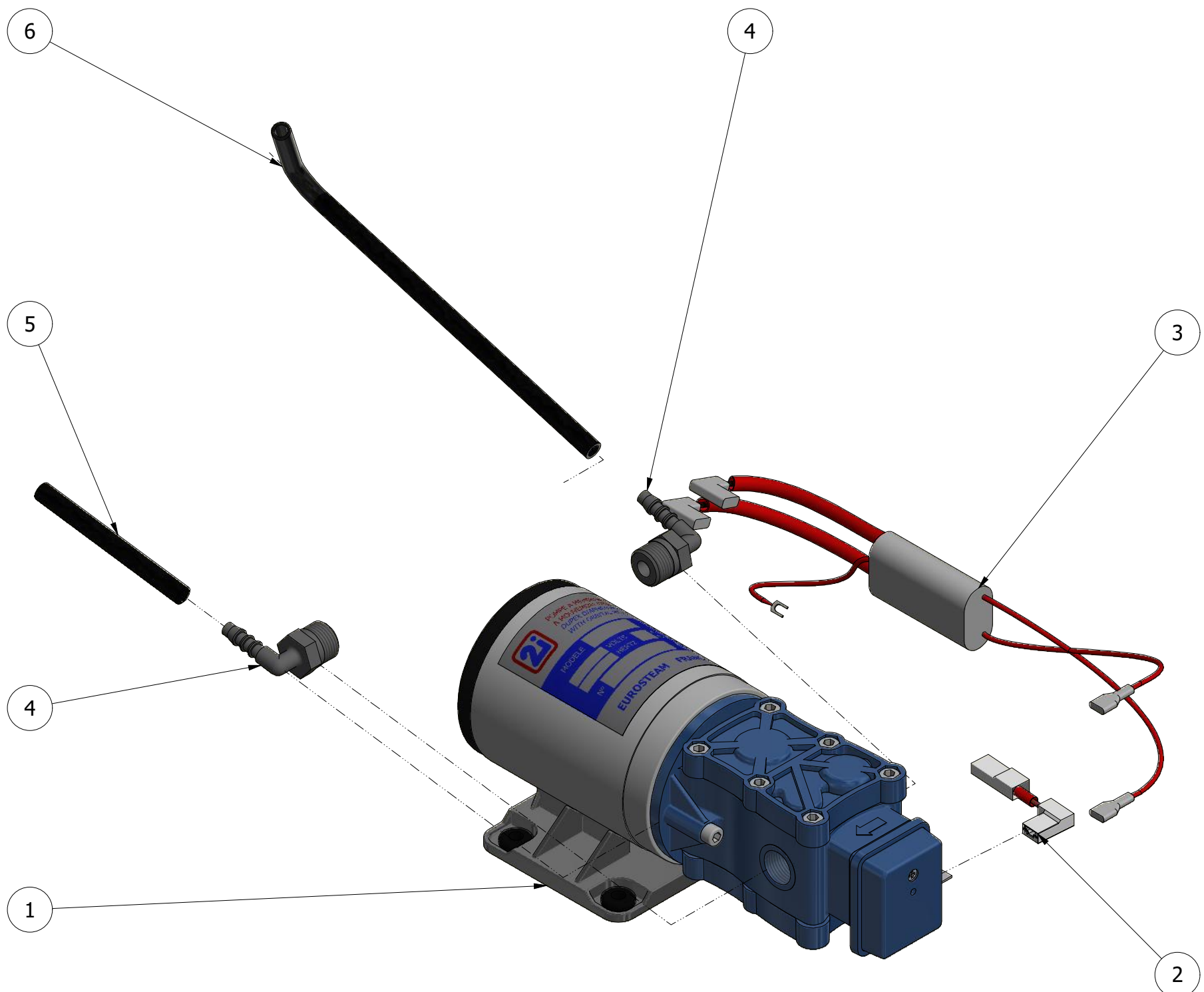
49-205-01592000

MEMBRANE PUMP 2i 230V 40W 2200Tr
EXC.N°1 ES15 -15S COMPLETE

45-210-01592000

POMPE 230V 40W 2200Tr EXC.N°1
ES15 -15 S COMPLETE ***LISTE DES PIECES / PARTS LIST**

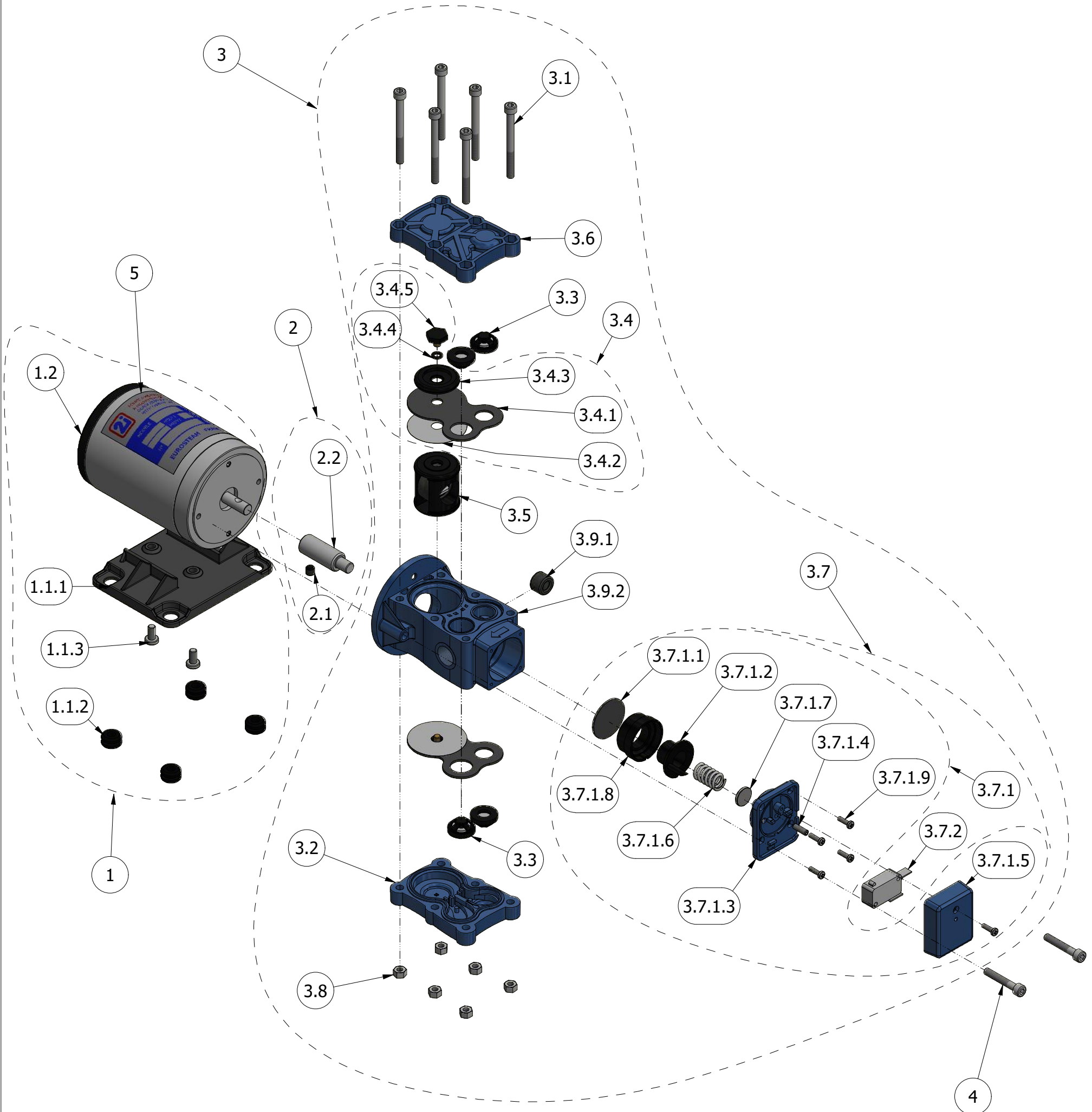
N°	Qt.	Réf. Interne	Réf. Commercial	Désignation	Description
1	1	45-210-09212100	49-205-00212100	POMPE MEMBRANE 2i 230V 40W 2200Tr EXC.N°1 **	MEMBRANE PUMP 2i 230V 40W 2200Tr EXC.N°1
2	1	45-145-00214600	49-140-00214600	FIL MARRON 1 ² L. 500mm GAINÉ	WIRE BROWN 1 ² L. 500mm
3	1	55-130-00211600	49-140-00211600	FILTRE ANTIPARASITE GAINÉ	SUPPRESSOR FILTER WRAPPED
4	2	69-120-01600900	49-215-01600900	RACCORD COUDE WES 06 3/8 PLAST	ELBOW CONNECTOR WES 06 3/8 PLAST
5	1	45-230-01050700	N/C	TUYAU PU 5.5x8 L. 0.750M	RISLAN HOSE 5.5x8 L. 0.750m
6	1	45-230-05051100	N/C	TUYAU PU 5.5x8 L. 0.450M	RISLAN HOSE 5.5x8 L. 0.450m

**EUROSTEAM**

165, Rue du Général de Gaulle BP1 - 76770 LE HOULME - France
Tél. 02 35 07 53 07 Fax. 02 35 88 77 38
email: info@eurosteam.fr Site Web: www.eurosteam.fr

PAGE
4 / 11

Modifié le : 01/01/2017
Édition : 12



49-205-00212100

MEMBRANE PUMP 2i 230V 40W 2200Tr
EXC.N°1

45-210-09212100

POMPE 230V 40W 2200Tr EXC.N°1 *

**LISTE DES PIECES / PARTS LIST**

N°	Qt.	Réf. Interne	Réf. Commercial	Désignation	Description
1	1	45-180-00292041	49-205-00292041	MOTEUR 230V 40W 2200 T + 75-140-03413000 (X2) + Support Assemblé *	MOTOR 230V 40W 2200 Rpm ASS.
1.1	1	45-190-00292700	49-205-00292700	SUPPORT MOTEUR NYLON ASS + VIS *	POMP HOLDER
1.1.1	1	62-130-00202700	N/C	SUPPORT MOTEUR POMPE NYLON	N/C
1.1.2	4	55-180-00202900	49-140-00202900	PASSE FIL ANTIVIBRATOIRE	ANTIVIBRATORY SLEEVE (X10)
1.1.3	2	75-140-00202800	49-275-00202800	VIS TAPTITE CBZ M5x10 INOX	TAPTITE SCREW CBLZ M5x10 ZN (X10)
1.2	1	45-180-00222600	49-190-00222600	MOTEUR 230V 40W 2200 Tr + (x2) 75-140-03413000 *	MOTOR 230V 40W 2200T WITH SCREWS
2	1	45-190-00291800	49-205-00291800	EXCENTRIQUE N°1 ASSEMBLE *	ECCENTRIC N°1 ASSEMBLY
2.1	1	75-140-00201900	49-275-00201900	VIS STHC M6x6 BOUT CUVETTE NOIRE	BLACK WITHOUT HEAD SCREW M6x6
2.2	1	53-110-00211800	N/C	EXCENTRIQUE N°1	N/C
3	1	45-190-00296000	49-205-00296000	TETE DE POMPE PTFE SANS EXCENTRIQUE	PUMP HEAD WITHOUT ECCENTRIC
3.1	6	75-140-00203100	49-275-00203100	VIS CHC M5x55 ZN ISO 4762	HSHC SCREW M5x55 ZN ISO 4762 (X10)
3.2	1	62-130-00202301	49-205-00202301	CULASSE N° II NYLON	LOWER CULET NYLON
3.3	1	45-190-00292100	49-205-00292115	CLAPETS MONTES PTFE (X4) *	VALVES ASS. (X4)
3.4	1	45-190-00292500	49-205-00292500	MEMBRANES DE POMPE (2 ENSEMBLES COMPLETS) *	PUMP MENBRANE (X2)
3.4.1	2	67-100-00202500	N/C	MEMBRANE POMPE "MICKEY"	N/C
3.4.2	2	72-120-00204800	N/C	ROND PTFE 41x8x0,1	N/C
3.4.3	2	62-130-00202402	49-205-00202402	CHAPEAU DE PISTON POLYPRO.	PISTON HOOD POLYPRO.
3.4.4	2	63-110-00205400	N/C	JOINT TORIQUE NITRI. 4,2x1,9	N/C
3.4.5	2	45-190-00202200	49-205-00202200	VIS DE PISTON SURMOULEE PP *	PISTON SCREW OVERMOLDED (X2)
3.5	1	45-190-00291300	49-205-00291300	PISTON DE POMPE COMPLET *	COMPLETE PISTON PUMP
3.6	1	62-130-00201101	49-205-00201101	CULASSE N° I NYLON	UPPER CULET NYLON
3.7	1	45-190-00290500	49-205-00290500	ENSEMBLE PRESSOSTAT 110/230V NYLON *	110/230V NYLON PRESSURE SWITCH SET
3.7.1	1	45-190-00290400	49-205-00290400	ENSEMBLE PIECES PRESSOSTAT NYLON *	ALL PARTS NYLON PRESSURE SWITCH WITHOUT SWITCH
3.7.1.1	1	67-100-00201000	49-205-00201000	MEMBRANE PRESSOSTAT	PRESSOSTAT DIAPHRAGM
3.7.1.2	1	62-130-00200800	49-205-00200800	PISTON PRESSOSTAT POLYPRO.	PISTON PRESSOSTAT POLYPRO (X2)
3.7.1.3	1	62-130-00200500	49-205-00200500	CAPOT INTERMEDIAIRE POLYPRO.	INTERMEDIATE HOOD POLYPRO.
3.7.1.4	1	75-140-00200400	49-275-00200400	VIS STHC M4x12 BOUT CUVETTE INOX	STAINLESS WITHOUT HEAD SCREW M4x12 (X10)
3.7.1.5	1	62-130-00200101	49-205-00200101	CAPOT SWITCH NYLON	
3.7.1.6	1	58-110-00204400	N/C	RESSORT DE PRESSOSTAT 20x12,5mm	N/C
3.7.1.7	1	53-120-00202000	N/C	RONDELLE D'APPUI INOX PRESSOST	N/C
3.7.1.8	1	62-130-00200900	N/C	CHEMISE PRESSOSTAT POLYPRO.	N/C
3.7.1.9	5	75-140-00200300	49-275-00200300	VIS AUTOF.PLAST.CBX 3x10 F ZN	SELF TAPPING SCREW FOR PLASTIC CBX 3x10 F ZN (X10)
3.7.2	1	55-150-00200200	49-140-00200200	MINIRUPTEUR - NF	MICROSWITCH - NF
3.8	6	75-110-00203200	49-275-00203200	ECROU HU M5 INOX DIN 934	HU NUT M5 STAINLESS STEEL (X10)
3.9	1	45-190-00201501	N/C	CORPS DE POMPE NYLON & DOUILLE PRESSOSTAT*	N/C
3.9.2	1	62-130-00201597	N/C	CORPS DE POMPE-NYLON	N/C
3.9.1	1	73-120-00201600	N/C	ROULEMENT A AIGUILLES DLF0810	N/C
4	2	75-140-00202600	49-275-00202600	VIS CHC M5x30 ZN ISO 4762	HSHC SCREW M5x30 ZN ISO 4762 (X10)
5	1	61-110-00204100	N/C	ETI.ADH. POMPE VIERGE	

EUROSTEAM165, Rue du Général de Gaulle BP1 - 76770 LE HOULME - France
Tél. 02 35 07 53 07 Fax. 02 35 88 77 38
email: info@eurosteam.fr Site Web: www.eurosteam.frPAGE
6 / 11Modifié le : 01/01/2017
Édition : 11

N/C

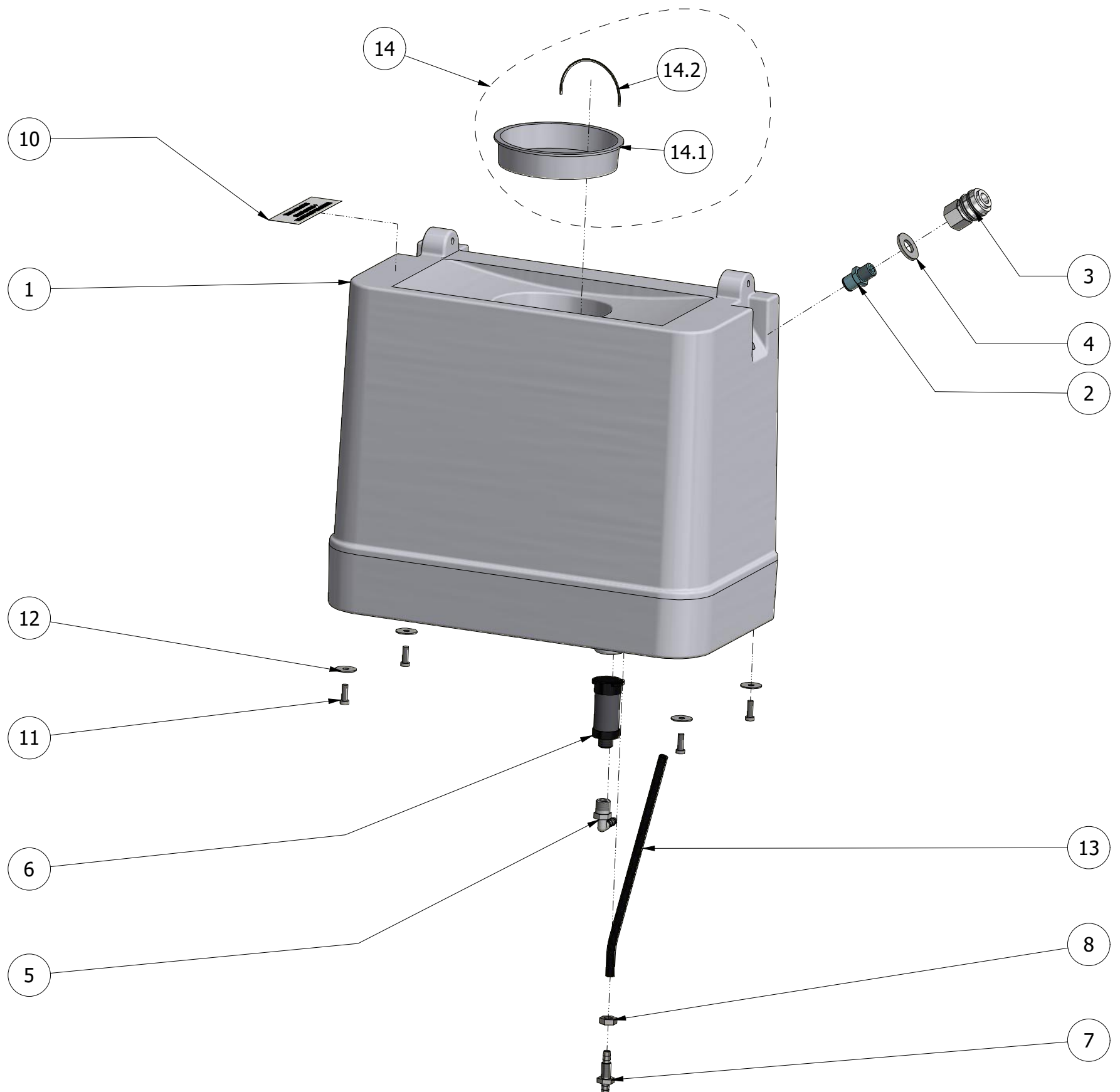
45-125-01590200



N/C

RESERVOIR EAU PROPRE ES15 S
COMPLET ***LISTE DES PIECES / PARTS LIST**

N°	Qt.	Réf. Interne	Réf. Commercial	Description	Description
1	1	45-105-01552200	49-225-01552200	DEFONÇAGE RESERVOIR EAU PROPRE ES15 - ES15.2	
2	1	69-110-01605700	49-215-01605700	RACCORD DROIT 08 - M 1/4 NIC. - FILETAGE:12mm	STRAIGHT CONNECTOR 08 - M 1/4 NIC. - 12mm
3	1	69-100-01605800	49-215-01605800	COUPLEUR DN 5 US - G 1/4 F - NIC.	COUPLING ESAN 14IRV NICKEL
4	1	75-130-00911800	49-275-00911800	RONDELLE PLATE M 12 INOX	FLAT WASHER M12 STAINLESS STEEL (X4)
5	1	69-120-04005100	49-215-04005100	RACCORD COUDE WES 06 1/4 PLAST	ELBOW WES 06 1/4 PLASTIC
6	1	59-100-00913600	49-170-00913600	CREPINE D'ASPIRATION	ASPIRATION FILTER
7	1	53-120-01205902	49-215-01205900	PASSE CLOISON CANNELE	PATH THRU CONNECTION WITH NUT
8	1	53-120-01205904	49-215-01205900	ECROU DE PASSE CLOISON CANNELE	PATH THRU CONNECTION WITH NUT
10	1	61-100-01500500	49-180-01500500	ETI.ADH. RESERVOIR EAU PROPRE	STICKER WATER TANK
11	4	75-140-00904800	49-275-00904800	VIS CBZ M5x16 ZN TETE Ø8mm	CBZ SCREW M5x16 ZN HEAD Ø8mm (X10)
12	4	75-130-04000800	49-275-04000800	RONDELLE PLATE LL 5 ZN	FLAT RING LL 5 ZN (X10)
13	1	45-230-00750600	N/C	TUYAU PU 5,5x8 L. 0.300M *	N/C
14	1	45-140-05094000	49-200-05094000	BOUCHON B1090 AVEC DRISSE Ø2 L. 0.200 M *	CLOSURE B1090 WITH HALYARD Ø2 L. 0.20M
14.1	1	57-100-00907300	49-165-00907300	BOUCHON GPN 600 B1090 NATURE	GPN STOPPER 600 B1090
14.2	1	45-135-02066400	N/C	DRISSE Ø2 NOIR L. 0.200M *	N/C

**EUROSTEAM**

165, Rue du Général de Gaulle BP1 - 76770 LE HOULME - France
Tél. 02 35 07 53 07 Fax. 02 35 88 77 38
email: info@eurosteam.fr Site Web: www.eurosteam.fr

PAGE
7 / 11Modifié le : 01/01/2017
Édition : 11

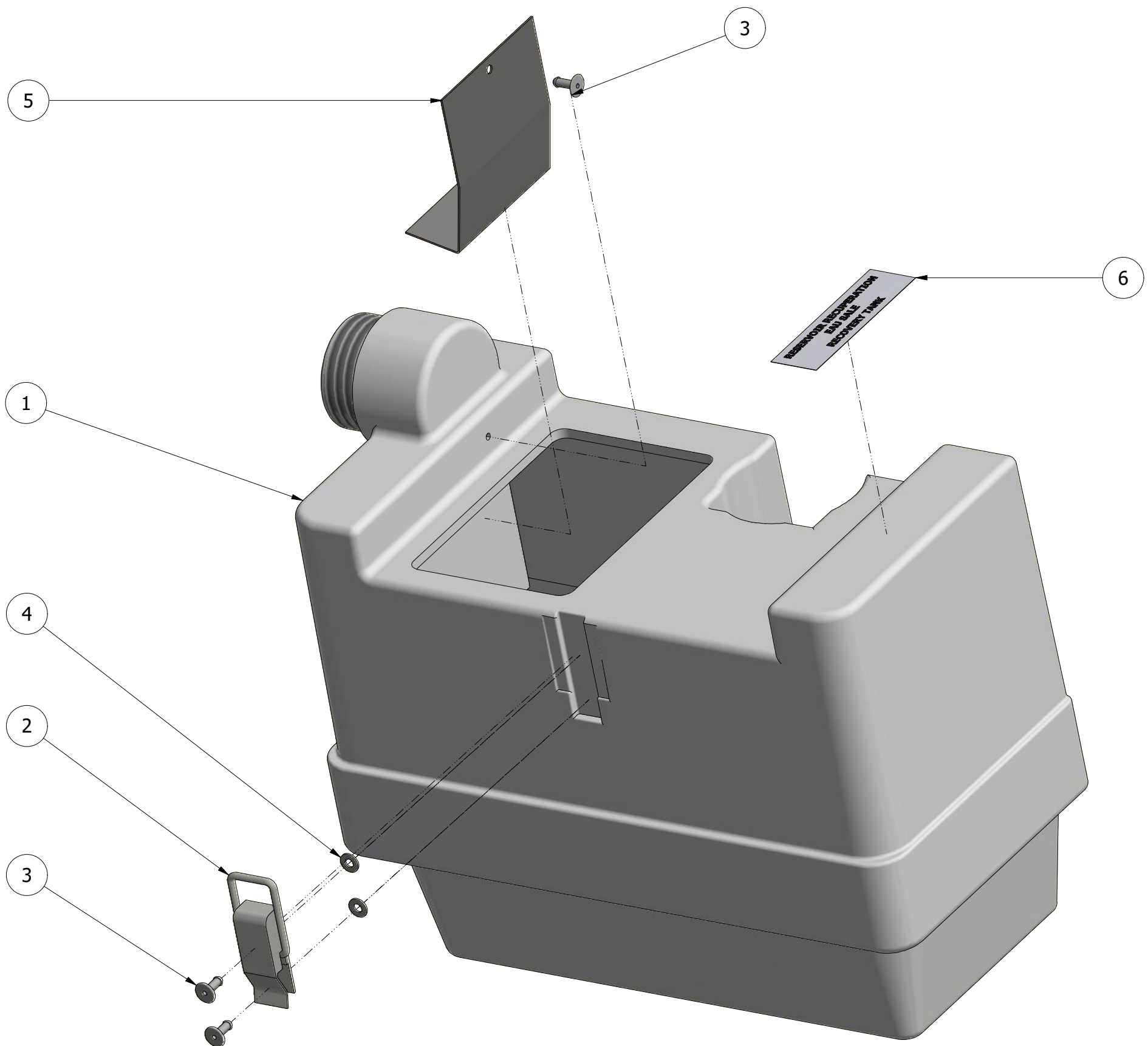
49-105-01091800

RECOVERY TANK ES10 ASS.

45-125-01091800

RESERVOIR EAU SALE ES10 - ES10
S COMPLET ***LISTE DES PIECES / PARTS LIST**

N°	Qt.	Réf. Interne	Réf. Commercial	Désignation	Description
1	1	45-105-01050200	49-225-01050200	RESERVOIR EAU SALE ES10S	RECOVERY TANK ASSEMBLY ES10S
2	1	57-110-01209200	49-165-01209201	SAUTERELLE AVEC RIVETS ET RONDELLES	DRILLED CLIP
3	3	75-120-02712100	49-275-02712100	RIVET 4,8x14,5 ETANCHE ALU/ACIER (X10)	RIVET 4.8x14 WATERPROOF ALU/STEEL (X10)
4	2	75-130-01203400	49-275-01203400	RONDELLE PLATE M 5 INOX (X10)	FLAT WASHER M 5 INOX (X10)
5	1	72-100-00908200	49-240-00908200	DEFLECTEUR INOX RESERVOIR PM	DEFLECTING STAINLESS STEEL PLATE PM
6	1	61-100-01500400	49-180-01500400	ETI.ADH. RESERVOIR EAU SALE	STICKER RECOVERY TANK

**EUROSTEAM**

165, Rue du Général de Gaulle BP1 - 76770 LE HOULME - France
Tél. 02 35 07 53 07 Fax. 02 35 88 77 38
email: info@eurosteam.fr Site Web: www.eurosteam.fr

PAGE
8 / 11

Modifié le : 01/01/2017
Édition : 11

N/C

45-230-01592300

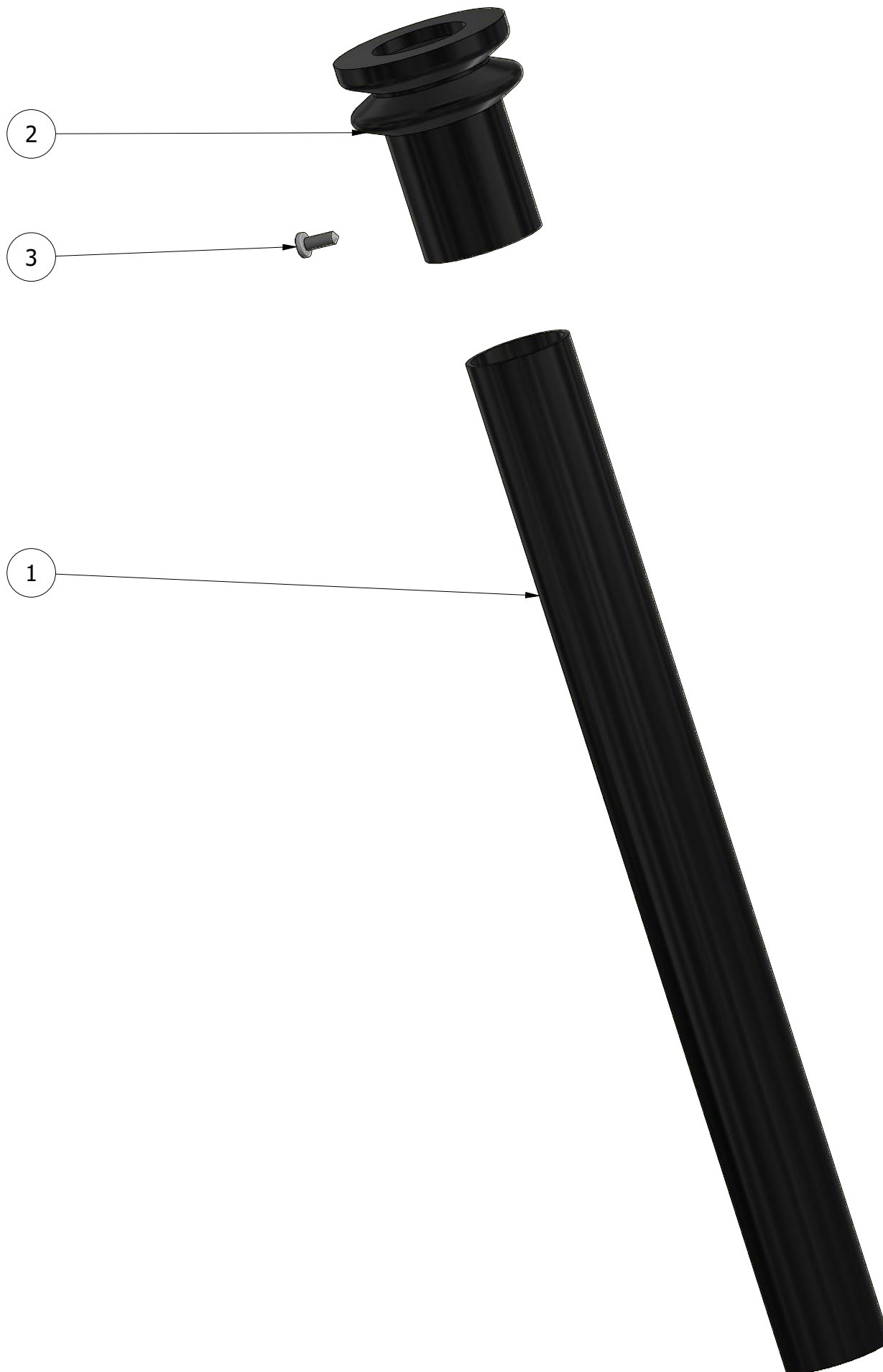


N/C

TUBE DEPRESSION & JOINT 395
mm ES15.2S *

LISTE DES PIECES / PARTS LIST

N°	Qt.	Réf. Interne	Réf. Commercial	Désignation	Description
1	1	74-110-01591300	49-255-01591300	TUBE PVC NOIR 36x40 Lg.395mm	BLACK PVC TUBE 36x40 Lg. 395mm
2	1	45-110-01550700	49-155-01550700	SOUFFLET	FLEX HOSE
3	1	75-140-01601900	49-275-01601900	VIS TOLE CBLZ ST 4,8x13 C ZN (X10)	SHEET METAL SCREW CBLZ 4.8x13 C ZN (X10)



49-150-01091100

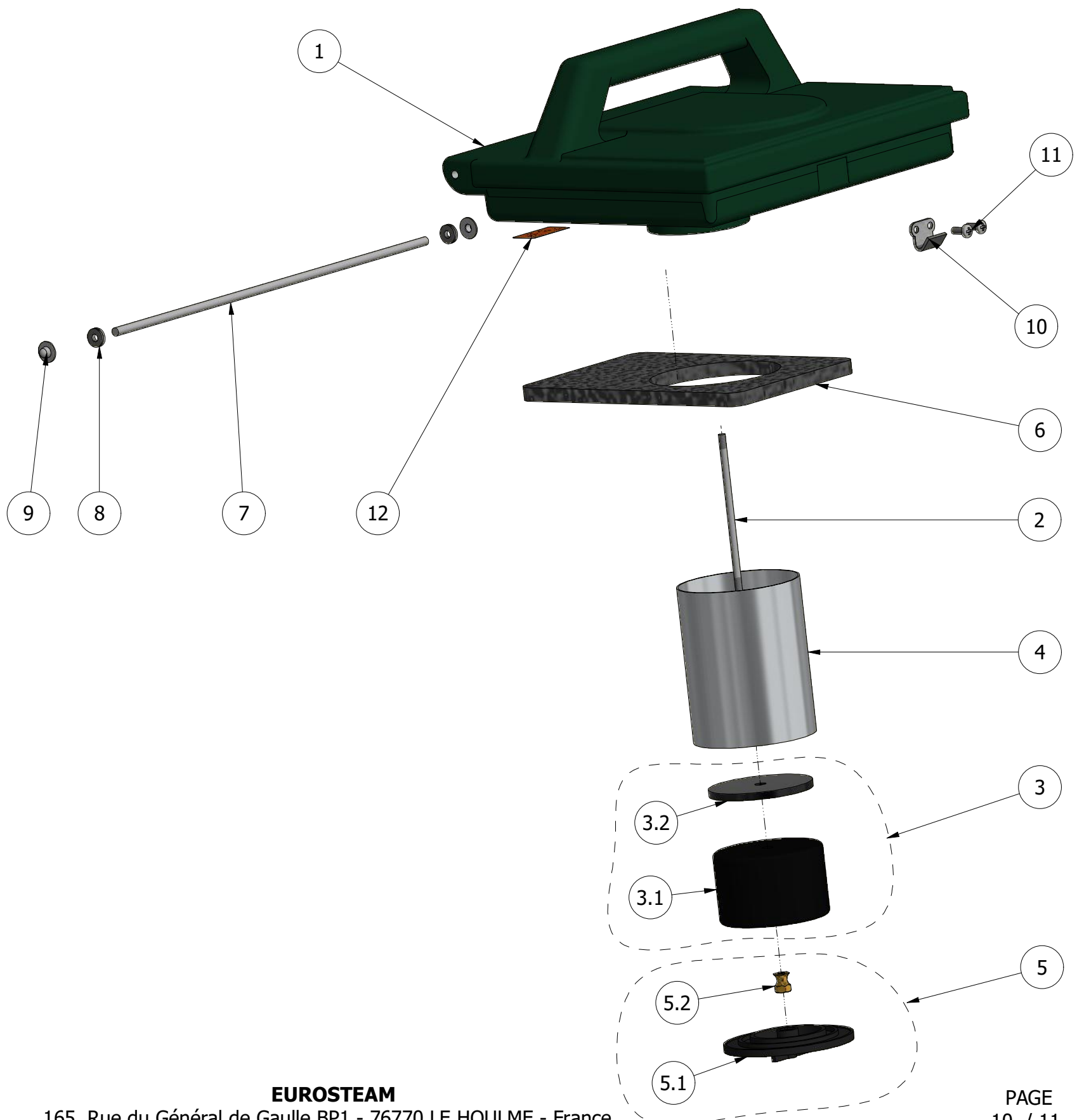
TOP COVER ES10S - ES15S - ES15.2S
COMPLETE *

45-140-01091100

COUVERCLE ES10S -15S -15.2S
COMPLET *

LISTE DES PIECES / PARTS LIST

N°	Qt.	Réf. Interne	Réf. Commercial	Désignation	Description
1	1	45-105-01050400	49-225-01050400	DEFONÇAGE COUVERCLE ES10S - 15S - 15.2S *	ES10 - TOP COVER
2	1	53-100-01200200	49-290-01200200	AXE Ø 5 Lg 111mm 2xM5 INOX	FILTER AXIS Ø5mm
3	1	45-140-00991200	49-200-00991200	FLOTTEUR AVEC MOUSSE Ø77 *	FLOAT WITH FOAM
3.1	1	45-105-00951300	N/C	DEFONÇAGE FLOTTEUR H.50mm Ø 77mm	N/C
3.2	1	66-110-00922300	49-195-00922300	MOUSSE FLOTTEUR Ø73 EXT.	FOAM FLOAT Ø73
4	1	59-100-00912400	49-170-00912400	FILTRE INOX PETITES MACHINES	STAINLESS FILTER SMALL MACHINES
5	1	45-140-00901400	49-170-00901400	RONDELLE FILTRE + INSERT *	WASHER + INSERT
5.1	1	45-140-00901400	49-170-00901400	RONDELLE FILTRE + INSERT *	WASHER + INSERT
5.2	1	53-120-00902800	N/C	INSERT LAITON M5	N/C
6	1	66-110-01503000	49-185-01503000	JOINT DE COUVERCLE	TOP COVER GASKET
7	1	53-100-01000500	49-290-01000500	AXE DE COUVERCLE Ø6mm INOX	TOP COVER Ø6mm STAINLESS STEEL ES10S-ES12.2S
8	2	63-100-01206100	49-185-01206100	RONDELLE NITRILE TOILEE 5x14x3	NITRILE PLATE 5x14x3 (x6)
9	2	70-100-03404000	49-230-03404000	CHAPEAU CLIPS CC 6/15	
10	1	57-110-01209400	49-165-01209402	GACHE SAUTERELLE 26x20	CLAMP WITH RIVET AND WASHER COMPACT15
11	2	75-140-01601900	49-275-01601900	VIS TOLE CBLZ 4,8x13 ZN ISO 7049	SHEET METAL SCREW CBLZ 4.8x13 C ZN (X10)
12	1	49-180-00006600	ETI.ADH. NE PAS UTILISER SANS FILTRE	STICKER DO NOT USE WITHOUT FILTER	



EUROSTEAM

165, Rue du Général de Gaulle BP1 - 76770 LE HOULME - France
Tél. 02 35 07 53 07 Fax. 02 35 88 77 38
email: info@eurosteam.fr Site Web: www.eurosteam.frPAGE
10 / 11Modifié le : 01/01/2017
Édition : 11

49-175-00996700

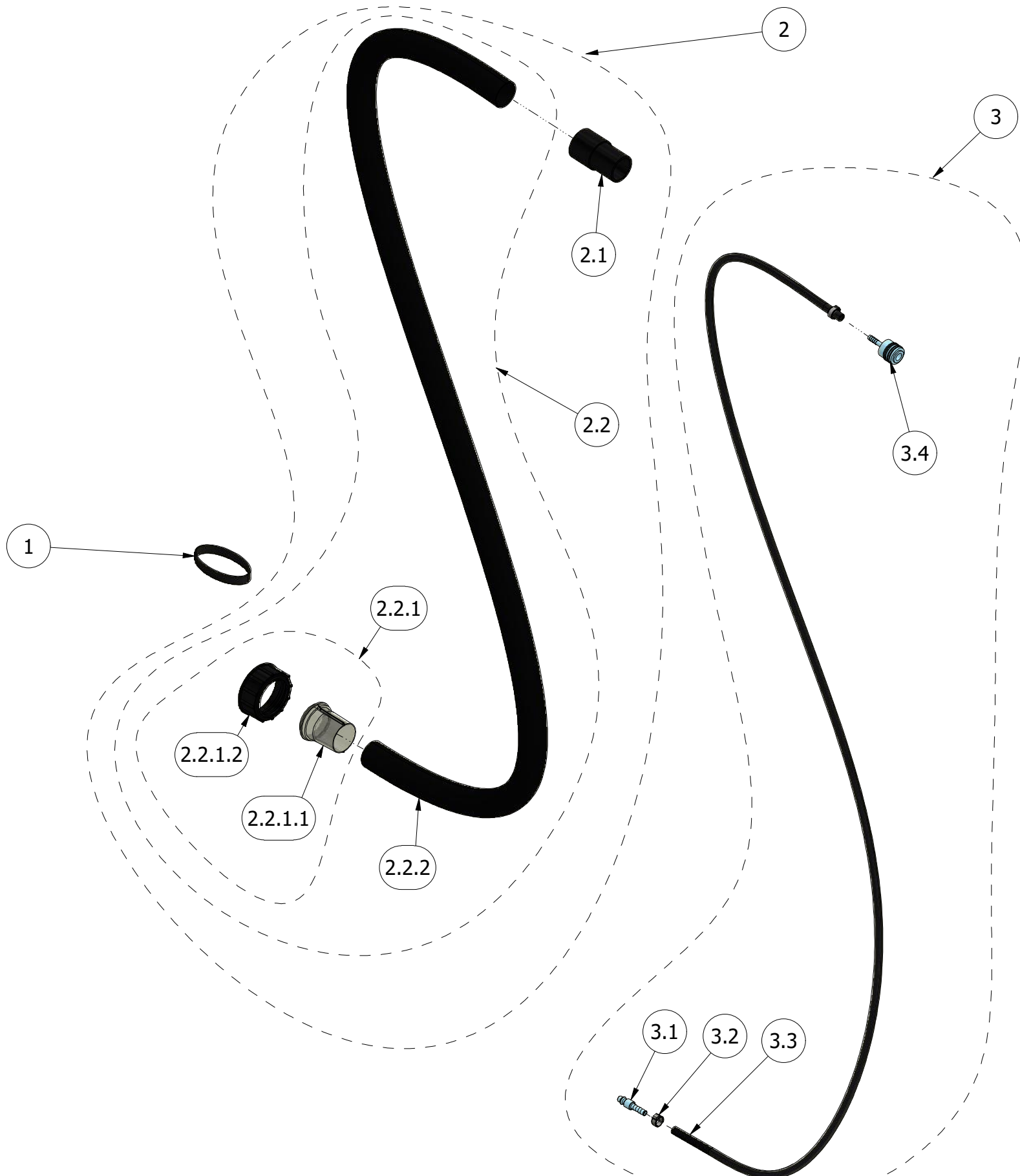
VACUUM HOSE & SPRAY Ø32 L. 2.2M
COMPLETE

45-155-00996700

FLEXIBLE INJ-EXT Ø32 L 2.2M
COMPLET *

LISTE DES PIECES / PARTS LIST

N°	Qt.	Réf. Interne	Réf. Commercial	Désignation	Description
1	1	45-115-03494200	49-145-03414200	LOT DE 3 COLLIERS VELCRO 34142 *	VELCRO STRAP (X10)
2	1	45-155-00990800	49-175-00990800	FLEXIBLE ASPI. Ø32 L. 2.20M COMPLET *	VACUUM HOSE ASSEMBLY Ø32 L. 2.20M COMPLETE
2.1	1	60-100-01606500	49-175-01606500	EMBOUT FLEXIBLE Ø32 TUBE Ø32	HOSE CONNECTOR Ø32 TUBE Ø32
2.2	1	45-155-00907800	N/C	FLEXIBLE ASPI. Ø32 L. 2.20M + KIT Ø32 *	N/C
2.2.1	1	45-155-00992600	49-175-00992600	KIT DE REPARATION FLEXIBLE Ø 32 K *	REPAIR KIT FOR HOSE Ø32
2.2.1.1	1	60-100-00908700	N/C	KIT REPARATION Ø32 KERSTAR	N/C
2.2.1.2	1	60-100-00908600	N/C	ECROU A VISSER POUR KIT KERST.	N/C
2.2.2	1	60-110-00907898	49-175-00907898	FLEXIBLE ASPI. Ø32 L. 2.20M	VACUUM HOSE Ø32 L. 2.20M
3	1	45-155-00990500	49-175-00990500	TUYAU DE PULVERISATION L. 2.20M COMPLET *	SPRAYING HOSE L. 2.20M COMPLETE
3.1	1	69-100-01605900	49-215-01605900	EMBOUT DN 5 US - CANN. 6 - NIC.	BRASS CONNECTOR
3.2	2	75-100-01606100	49-275-01606100	COLLIER AVEC BAGUE 13.3 RER	STAINLESS STEEL VALVE HOLDER 12.8 RER (X6)
3.3	1	45-230-01258200	49-260-00012100	TUYAU PVC ARME 6.3X11 L. 2.200M *	REINFORCED BLACK PVC HOSE 6.3x11ROLL 100meters
3.4	1	69-100-01606400	49-215-01606400	COUPLEUR DN 5 US - CANN. 6 - NIC.	HOSE COUPLING



EUROSTEAM

165, Rue du Général de Gaulle BP1 - 76770 LE HOULME - France
Tél. 02 35 07 53 07 Fax. 02 35 88 77 38
email: info@eurosteam.fr Site Web: www.eurosteam.fr

PAGE
11 / 11Modifié le : 01/01/2017
Édition : 11