

Numatic International Spare Parts

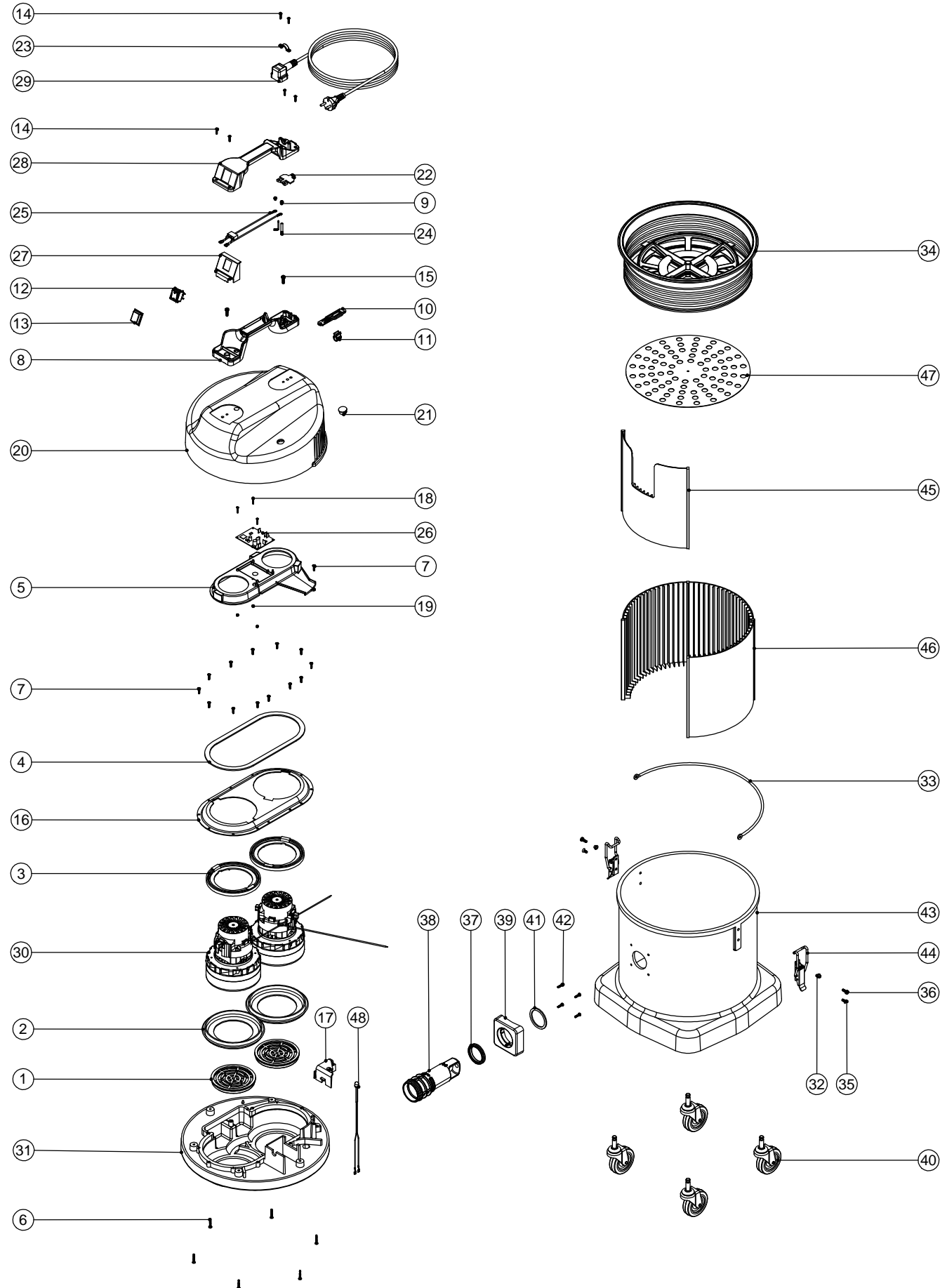
Model No: NDD 570 ASSEMBLY DRAWING

NB: FOR WIRING SEE DRAWING: DRW-4345 (220/240V)

234685

DRAWING: DRW-4427 A02

07/02/2012



Numatic International Spare Parts

Model No: NDD 570 ASSEMBLY DRAWING

ITEM:	PART No:	DESCRIPTION:	COMMENTS:
1	206010	FAN GUARD	
2	202005	MOTOR BOTTOM GASKET	
3	227925	TOP MOTOR GASKET (LAMB BYPASS MOTOR)	
4	202012	GASKET	
5	237067	DUPLEX AIR SEPERATOR (FINE DUST SYSTEM)	
6	219369	NO8.1 INCH LG.POZI-PAN.SCREW.STAINLESS STEEL.PLASTITE	
7	219370	NO8.5/8" LG.POZI-PAN.SCREW.STAINLESS STEEL.PLASTITE	
8	320686	HANDLE BASE MOULDING (SOCKET) PLUS INSERTS	UK, EURO, SWISS
	320835	HANDLE BASE MOULDING + INSERTS (3 CORE)	AUSTRALIA
9	219090	M4.8MM LG.POZI-PAN.SCREW.Z/PL.SEM.	
10	227636	STRAIN RELIEF ARM (SOCKET)	
11	227637	CABLE CLIP (SOCKET)	
12	220552	RED ROCKER SWITCH (WHITE PRINT)	
13	206573	SWITCH COVER (PLUG HANDLE)	
14	219107	NO6.5/8 INCH LG.POZI-PAN.SCREW.Z/PL.PLASTITE	
15	219546	M5.20MM LG.POZI-PAN.SCREW.Z/PL.SEM	
16	225175	DUPLEX NDD TOP MOTOR HOUSING	UK, EURO, SWISS
	325128	DUPLEX MOD TOP MOTOR HOUSING	AUSTRALIA
17	237069	LED HOLDER (DUSTCARE SYSTEM)	
18	219038	M3.16MM LG.SLOT.SCREW.Z/PL	
19	219070	NUT.M3.NYLON INSERT.Z/PL	
20	323001	NDD COVER PROCESSED FOR LOW FLO LED	
21	220967	WINDOW PLUG (TYPE WP 750) HEYCO REF: 438 1309	
22	227631	TERMINAL COVER & CLAMP 3PIN	
23	216290	CABLE CLAMP 16A	
24	206562	CONTACT PIN	
	206563	EARTH CONTACT PIN	AUSTRALIA
25	230151	SUPPRESSOR ASSEMBLY(NVP/2 WIRE)	EURO, SWISS
	220558	SUPPRESSOR ASSY (1.5MM)	UK, AUSTRALIA
26	230188	DUPLEX CONTROL BOARD PCB	
27	227635	SWITCH MOUNTING BRACKET 1 SWITCH	
28	229990	HANDLE COVER 16AMP 2PIN	
	227621	HANDLE COVER 16AMP 3PIN 1 SWITCH	AUSTRALIA
29	236144	10.0MT X 1.5MM X 2 CORE YELLOW CABLE (SOCKET + PLUG) EURO	
	236146	10.0MT X 1.5MM X 2 CORE CABLE (SOCKET + PLUG) UK	
	236087	15.0MT X 1.5MM X 3 CORE CABLE (SOCKET + PLUG) AUSTRALIAN	
	236147	10.0MT X 1.5MM X 2 CORE CABLE (SOCKET + PLUG) SWISS	
30	205443	240V 2 STAGE D.I BYPASS ACUSTEK MOTOR (BL21104T)(MARKED 230V)TCO(REF119847-00)	
31	301048	BOTTOM MOTOR HOUSING PUNCH WVD 14" 900 SERIES (DUPLEX)	
32	208025	SPACER BUCKET HANDLE WV575/750	
33	418512	BUCKET HANDLE CRANKED PNT BLACK	
34	502014	14 INCH WHITE FILTER ASSEMBLY	
35	219330	M5.12MM LG.POZI-PAN.SCREW.Z/PL.C/SUNK	
36	219045	M5.16MM LG.POZI-PAN.SCREW.Z/PL.SEM	
37	202102	BAYONET SEAL	
38	237342	BAG CONNECTOR TUBE	
39	237343	BAG CONNECTOR FRONT	
40	204060	3 INCH STEM FITTING CASTOR	
41	202027	HOSE FLANGE GASKET	
42	219105	NO8.5/8 INCH LG.POZI-PAN.SCREW.Z/PL.PLASTITE	
43	325132	572 GREY DRUM PUNCH & INSERT	
44	206135	TOGGLE FASTENER 30-1665 MSBL	
45	308028	DRUM LINER (FOR ASSEMBLY VIEW ONLY)	
46	237048	DRUM LINER (FOR ASSEMBLY VIEW)	
47	401447	DRUM BASE (FINE DUST VACUUM CLEANER) PAINTED GREY	
48	230165	LOW FLOW LED LOOM	