

# Numatic International Spare Parts

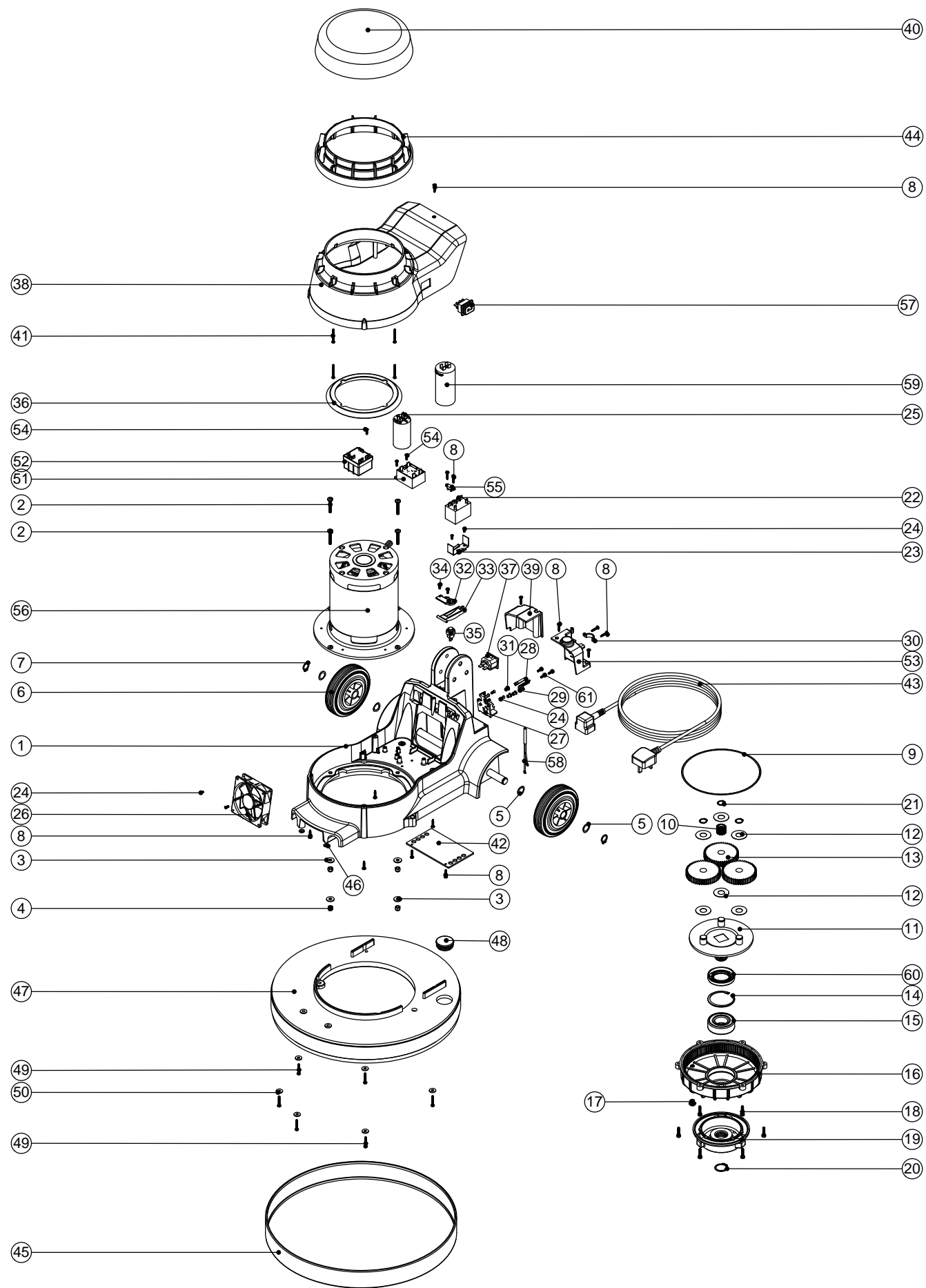
Model No: NRT 1530 BASE ASSEMBLY EXPLODED DRAWING (EXP-0923)

234492

DRAWING: EXP-0923

07/09/2009

ISS: A10



# Numatic International Spare Parts

Model No: NRT 1530 BASE ASSEMBLY EXPLODED DRAWING (EXP-0923)

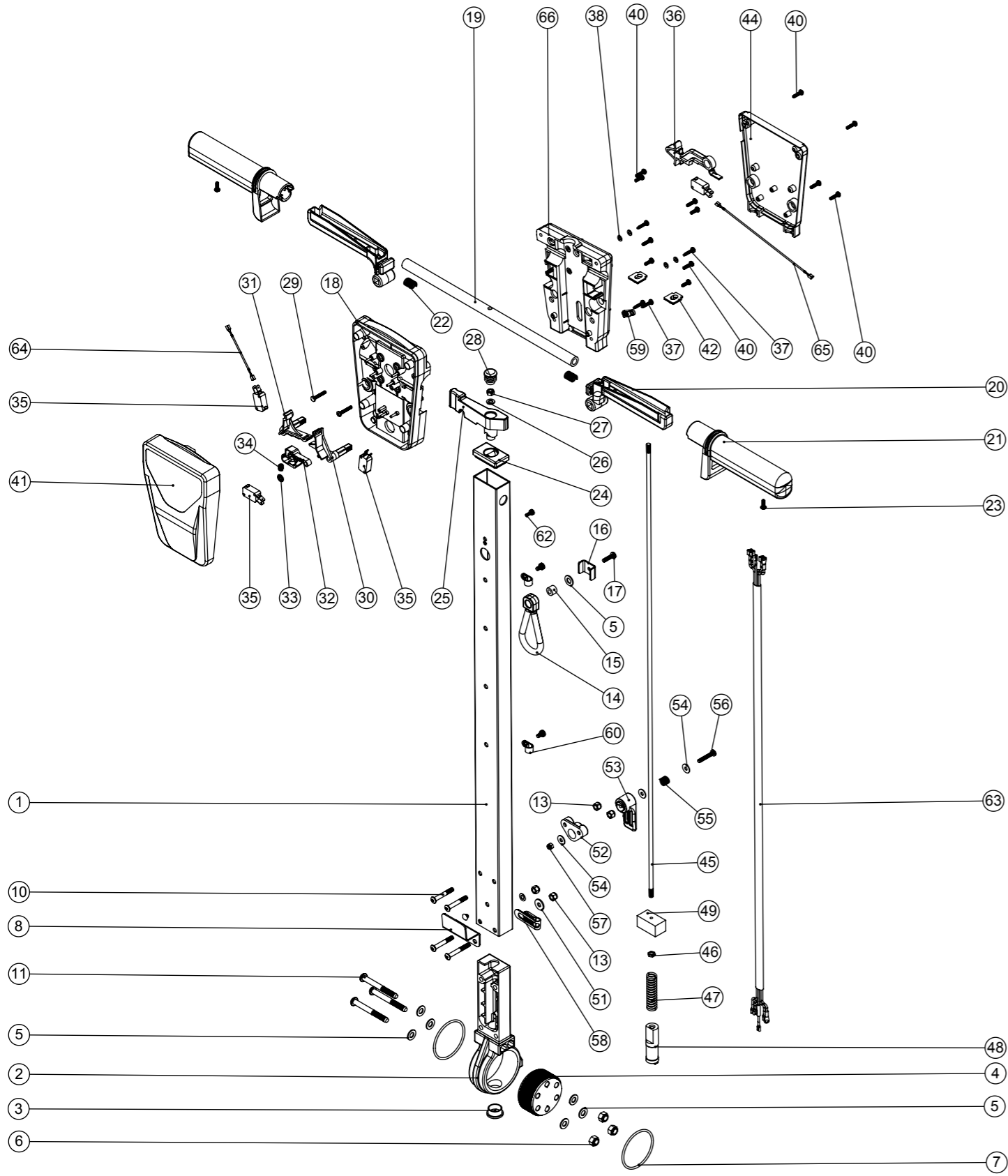
POS:	ITEM NO:	DESCRIPTION:	COMMENTS:
1	338580	PRINTED GRAPHITE BASE MOULDING SUB ASSEMBLY C/W M8 MULTISERT	
2	219268	M6 X 35MM LONG POZI PAN SCREW	
3	219008	M6 FORM G WASHER	
4	219088	M6 NYLON INSERT NUT	
5	219219	21.5MM X 16.3MM WAVE WASHER	
6	229060	WHEEL GREY BLACK HUB	
7	229051	EXTERNAL CIRCLIP	
8	219914	NO6 X 5/8 INCH LONG POZI-PAN PLASTITE STAINLESS STEEL SCREW	
9	230001	V OIL SEAL	
10	230027	12 TOOTH PINION GEAR (STANDARD SPEED)	
11	230291	PLANET CARRIER & PIN ASSEMBLY (50HZ STANDARD SPEED)	
12	230215	35MM X 15 I/D ALUMINIUM WASHER	
13	230013	48 TOOTH SPUR GEAR(STANDARD SPEED 50/60HZ)	
14	230200	62MM INTERNAL CIRCLIP	
15	230094	62MM O/D X 30MM I/D X 20MM BEARING (WITH SEALS)	
16	230060	BOTTOM PLATE WITH MACHINED GEAR TEETH	
17	219801	GEAR BOX OIL PLUG	
18	219820	M5 X 20MM LONG SOCKET CAP SCREW	
19	230059	DIE CAST CHUCK	
20	230048	26MM EXTERNAL CIRCLIP	
21	230015	15MM EXTERNAL CIRCLIP	
22	206575	240V / 25A RELAY	
23	206500	RELAY BRACKET	
24	219651	M4 X 10MM LONG POZI PAN THREAD CUTTING SCREW	
25	220876	20 MFD MOTOR RUN CAPACITOR (450V)	
26	205072	PROCESSED 12V DC BRUSHLESS FAN	
27	216288	TERMINAL BLOCK	
28	206562	CONTACT PIN	
29	206563	EARTH CONTACT PIN	
30	216290	CABLE CLAMP	
31	219009	M4 BRASS TAPPEX INSERT	
32	216293	LEVER PLATE	
33	216292	CUT OUT LEVER	
34	219677	No4 X 10MM LONG POZI PAN PLASTITE SCREW	
35	229454	HANDLE SWITCH	
36	227556	TOP MOTOR GASKET	
37	220964	APPLIANCE OUTPUT SOCKET	
38	303517	MODIFIED FLOOR MACHINE MIDDLE SECTION MOULDING	
39	216291	OUTPUT COVER	
40	328112	NU SPEED TOP SECTION MOULDING PRINTED	
41	219848	NO6 X 1 3/8 INCH LONG POZI PAN SCREW	
42	329228	GAURD PLATE	
43	236072	MAINS CABLE (15.0 METERS / 1.5MM / 3 CORE CABLE / SOCKET + UK PLUG)	
43	236136	15.0MT X 1.5MM X 3 CORE YELLOW CABLE (SOCKET + PLUG) EURO	OPTIONAL CABLE
43	236087	MAINS CABLE (15.0 METERS / 1.5MM / 3 CORE CABLE / SOCKET + AUSTRALIAN PLUG)	OPTIONAL CABLE
43	236078	MAINS CABLE (15.0 METERS / 1.5MM / 3 CORE CABLE / SOCKET + SWISS PLUG)	OPTIONAL CABLE
43	236081	MAINS CABLE (15.0 METERS / 1.5MM / 3 CORE CABLE / SOCKET + SOUTH AFRICAN PLUG)	OPTIONAL CABLE
44	229486	TALL MOTOR INSERT MOULDING	
45	206478	GREY MEDIUM BUFFER RING	
46	219493	M6 NYLON WASHER	
47	329110	GREY SANDING DECK	
48	229400	BLACK END STOP	
49	219369	No8 X 1 INCH LONG POZI PAN STAINLESS STEEL PLASTITE SCREW	
50	219005	M5 FORM G WASHER	
51	206753	UNIVERSAL POWER SUPPLY	
52	206824	230V 2 SPEED VOLTAGE RELAY	
53	206865	16A INPUT COVER C/W WINDOW PLUG	
54	219318	No6 X 1/2 INCH LONG POZI PAN PLASTITE SCREW	
55	229669	LOLINE HANDLE CABLE CLAMP	
56	205223	COMBINED INDUCTION MOTOR 2/4POLE 220-240V 50HZ	
57	229465	DOUBLE POLE CHANGE OVER RED ROCKER SWITCH	
58	321193	AC LED WITH TERMINALS	
59	208265	MOTOR START CAPACITOR 100 MFD C/W RESISTOR & M8 STUD	
60	230158	VITON OIL SEAL (BROWN)	
61	219471	M4 X 12MM LONG POZI PAN SEMS SCREW	

# Numatic International Spare Parts

## Model No: NR HANDLE ASSEMBLY

NB: FOR WIRING SEE DRAWING: WD-0345

234514  
DRAWING:EXP-0943 ISS:A03  
01/10/2007



# Numatic International Spare Parts

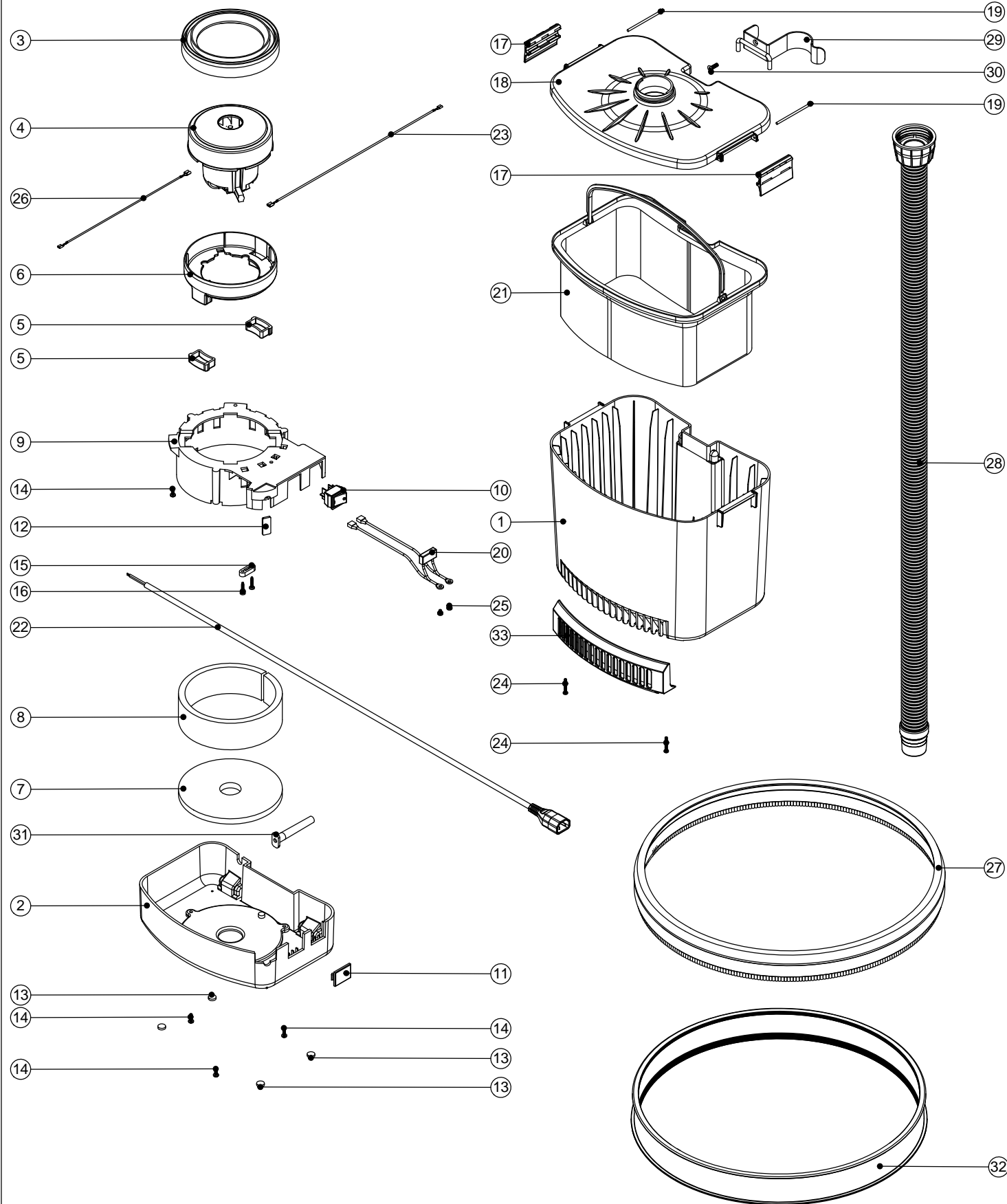
## Model No: NR HANDLE ASSEMBLY

POS:	ITEM NO:	DESCRIPTION:	COMMENTS:
1	429096	LOLINE HANDLE TUBE PAINTED (830)	
2	229081	HANDLE CASTING MACHINED	
3	229099	25MM DIA HOLE PLUG	
4	229482	DUAL SETTING ADJUSTMENT GEAR	
5	219010	M8 FORM A WASHER	
6	219078	M8 NYLON INSERT NUT	
7	219254	O RING 3MM DIA X 60MM I/D	
8	329000	HANDLE BRACKET	
9	219881	M6 X 45MM SOCKET BUTTON HEAD SCREW	
10	219807	M6 X 40MM LONG SOCKET BUTTON HEAD BOLT	
11	219806	M8 X 70MM LONG SOCKET BUTTON HEAD BOLT	
12	229009	BLANKING PLUG	
13	219088	M6 NYLON INSERT NUT	
14	226008	STRESS RELIEF	
15	226006	SPACER (BLACK)	
16	329231	STRESS RELIEF BRACKET	
17	219054	M5 X 20MM LONG POZI PAN SCREW	
18	227576	FRONT INNER HALF MOULDING	
19	338269	CROSS TUBE	
20	227581	TRIGGER MOULDING	
21	227580	HAND GRIP MOULDING	
22	219803	TRIGGER COMPRESSION SPRING	
23	219270	No8 X 1/2 INCH LONG POZI PAN SELF TAP SCREW	
24	227582	HANDLE PLUG MOULDING	
25	227583	ADJUSTMENT LEVER MOULDING	
26	219493	M6 NYLON WASHER	
27	219642	M6 STAINLESS STEEL NYLON INSERT NUT	
28	20638V	CSP-302 BLACK TUBE END STOP	
29	219811	NO8 X 1 INCH LONG POZI-PAN SELF TAP SCREW	
30	227585	LEFT HAND SWITCH OPERATING LEVER MOULDING	
31	227586	RIGHT HAND SWITCH OPERATING LEVER MOULDING	
32	227587	CENTRE SWITCH OPERATING LEVER MOULDING	
33	219805	4MM SPIREFIX	
34	219804	SWITCH COMPRESSION SPRING	
35	229483	SNAP ACTION SWITCH	
36	227584	INTERLOCK LEVER MOULDING	
37	219107	No6 X 5/8 INCH LONG POZI PAN PLASTITE SCREW	
38	219206	M4 FORM A WASHER	
39	219101	No8 X 1/2 INCH LONG POZI PAN PLASTITE SCREW	
40	219105	No8 X 5/8 INCH LONG POZI PAN PLASTITE SCREW	
41	318959	PRINTED FRONT COVER MOULDING	
42	329539	MODIFIED BLANKING PLATE	
43	227666	BLANKING PLUG	
44	318968	PRINTED REAR COVER MOULDING	
45	229484	840MM HANDLE LOCKING ROD	
46	219099	M6 HALF NUT	
47	229138	SPRING	
48	229073	GEAR LOCKING PIN	
49	229030	ANTI VIBRATION PAD	
50	219007	M6 FORM B WASHER	
51	219008	M6 FORM G WASHER	
52	227806	CABLE RELEASE BASE MOULDING	
53	227807	CABLE RELEASE TOP MOULDING	
54	219644	M5 FORM G STAINLESS STEEL WASHER	
55	206599	SPRING (REF:C5514370)	
56	219720	M5 X 30MM LONG STAINLESS STEEL POZI PAN SCREW	
57	219076	M5 NYLON INSERT NUT	
58	229139	P-CLIP	
59	229669	LOLINE HANDLE CABLE CLAMP	
60	219393	P CLIP	
61	219047	M5 X 10MM LONG POZI PAN SEMS SCREW	
62	219471	M4 X 12MM LONG POZI PAN SEMS SCREW	
63	230134	NR 5 CORE LOOM ASSEMBLY (UK/EURO)	
64	321247	60MM LONG BLUE LINK WIRE	
65	321248	190MM LONG BLUE LINK WIRE	
66	227577	REAR INNER HALF MOULDING	

**Numatic International Spare Parts**

**Model No: NDT130 DUSTROL KIT (606056)**

234400  
DRAWING: EXP-0831 ISS:A04  
09/10/2008



**Numatic International Spare Parts**

**Model No: NDT130 DUSTROL KIT (606056)**

POS:	ITEM NO:	DESCRIPTION:	COMMENTS:
1	328056	BODY MOULDING DARK GREY (PRINTED)	
2	303528	BASE MOULDING PUNCHED	
3	202065	BOTTOM MOTOR GASKET	
4	205493	230V 1 STAGE THRO FLOW CUP MOTOR (DL11103T) TCO (MARKED 230V)	
5	227885	MOUNTING RUBBER	
6	229514	MOTOR SPACER (CUP MOTOR)	
7	203016	TOP FELT	
8	203017	SIDE FELT	
9	325025	BLACK MOTOR HOUSING MOULDING	
10	220552	RED ROCKER SWITCH	
11	206431	BLANKING PLATE	
12	329346	DUSTROL BLANKING PLATE	
13	206322	RUBBER FOOT BLACK	
14	219101	No8 X 1/2 INCH LONG POZI PAN PLASTIITE SCREW	
15	227008	BLACK CABLE CLAMP	
16	219107	No6 X 5/8 INCH LONG POZI PAN PLASTITE SCREW	
17	227186	TOGGLE MOULDING	
18	227183	LID MOULDING	
19	206326	TOGGLE PIN	
20	220142	SUPPRESSOR ASSEMBLY	
21	207111	FILTER ASSEMBLY	
22	236100	DUSTROL CABLE	
23	321004	340MM LONG WHITE MOTOR LEAD ASSEMBLY	
24	219602	No6 X 1 INCH LONG POZI PAN PLASTITE SCREW	
25	219090	M4 X 8MM LONG POZI PAN SEMS SCREW	
26	321117	250MM LONG WHITE MOTOR LEAD	
27	329372	BRUSH RING ASSEMBLY	
28	303525	DUSTROL 32MM CONNECTING HOSE ASSEMBLY	
29	403042	BRACKET HOOK WELDED ASSEMBLY	
30	219282	M5 X 16MM LONG POZI PAN COUNTERSUNK SCREW	
31	220923	STRESS RELIEF	
32	206475	GREY MEDIUM BUFFER EXTRUSION	
33	227199	DIFFUSER MOULDING	