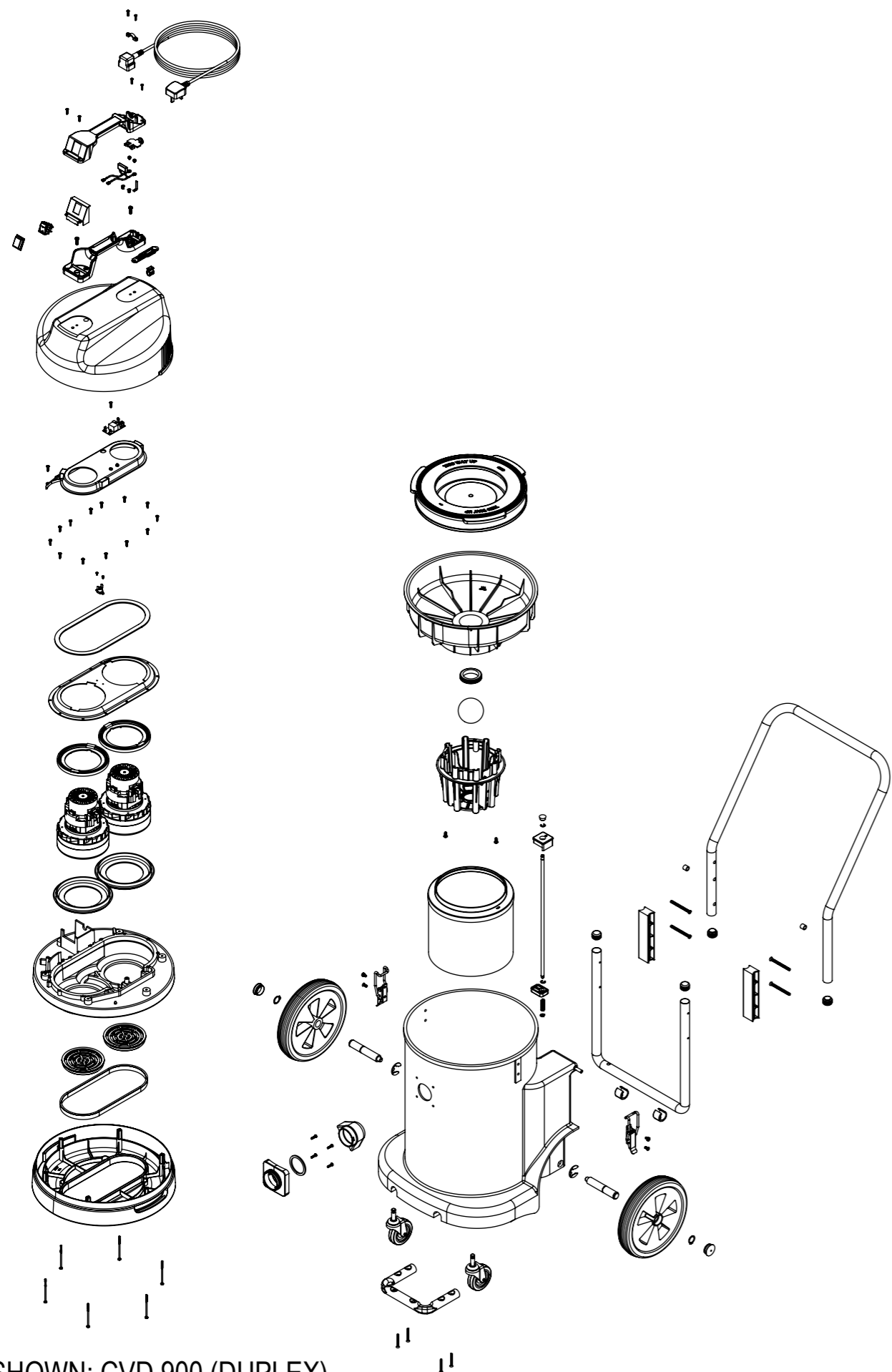


# Numatic International Spare Parts

Model No: CVD/S 900 EXPLODED DRAWING

NB: FOR WIRING SEE DRAWING: WD-0245(SIMPLEX) WD-0255(DUPLEX)

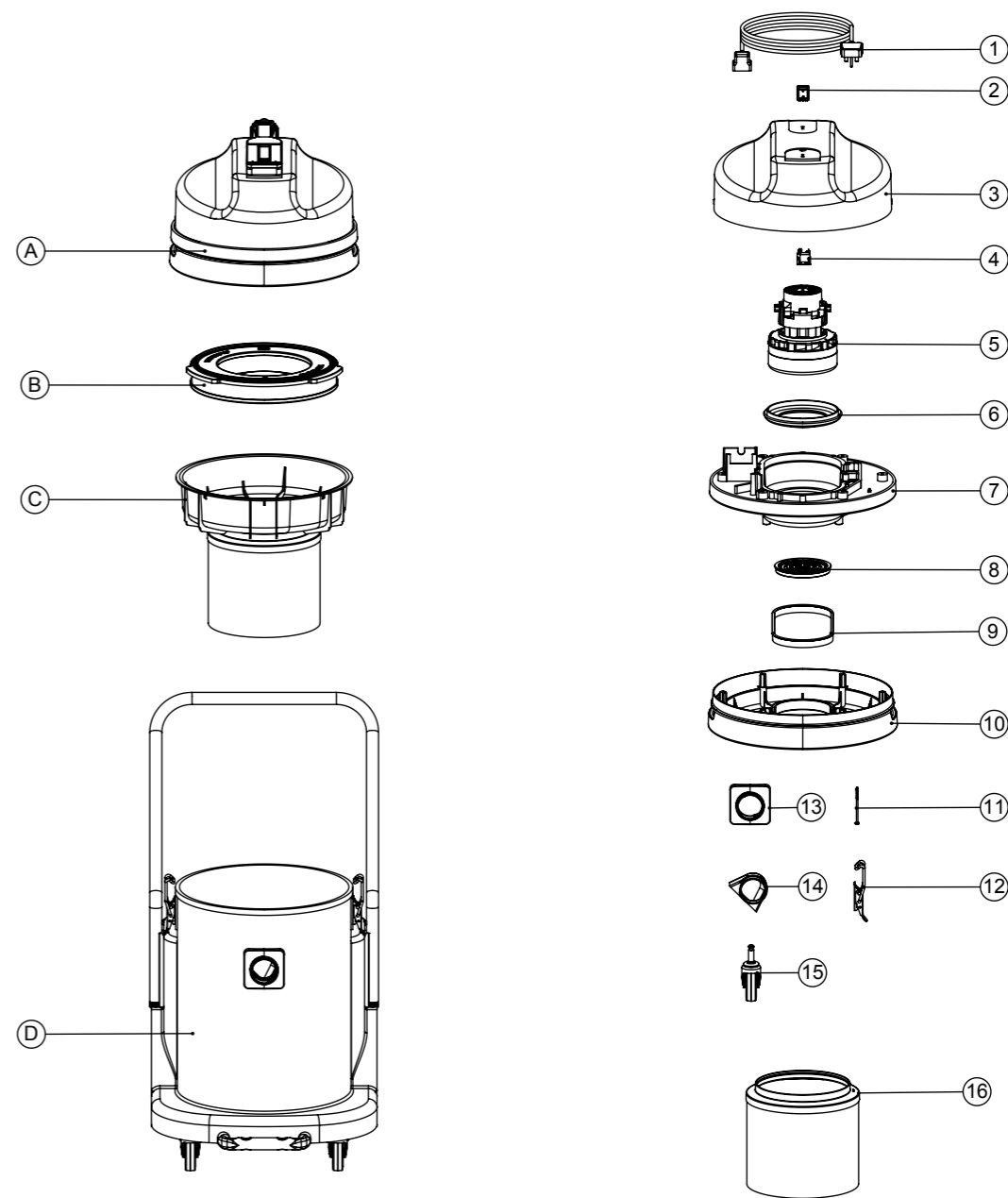
N/A  
DRAWING: DRW-14946 ISS:A02  
13/06/2014



MODEL SHOWN: CVD 900 (DUPLEX)

# Numatic International Spare Parts

Model No: CVD/S 900 EXPLODED DRAWING



POS.	ITEM NO.	DESCRIPTION	COMMENTS
A	588886	CVD (DUPLEX HEAD ASSEMBLY) (EURO)	DOES NOT CONTAIN POWER CORD (AVAILABLE SEPARATELY)
	588992	CVD (DUPLEX HEAD ASSEMBLY) (UK)	
	588885	CVS (SIMPLEX HEAD ASSEMBLY) (EURO)	
	588947	CVS (SIMPLEX HEAD ASSEMBLY) (UK)	
1	236009	10M CABLE (MOULDED UK PLUG & SOCKET 10A 2 CORE)	UK
	236013	10M CABLE (MOULDED EURO PLUG & SOCKET 10A 2 CORE)	EURO
2	220843	SWITCH (BLUE ROCKER SWITCH)	
3	227043	COVER	
4	220555	PCB (230V DELAY START MODULE)	CVD HEAD ONLY
5	205411	MOTOR (240V 2 STAGE D.1 BYPASS ACUSTEK MOTOR (BL21104)(MARKED 230V)	
6	202005	BOTTOM MOTOR GASKET	
7	301048	BOTTOM MOTOR HOUSING	
8	206010	FAN GUARD	
9	202138	GASKET SEAL	
10	237610	FILTER SPACER (ADAPTOR BOTTOM MOTOR HOUSING 14" WET)	
11	291094	SCREW (NO8 X 2.95 TX-PN-PLAST STAINLESS STEEL)	
	207124	CARTRIDGE FILTER	
B	207125	CARTRIDGE FILTER (H10)	
C	502988	FLOAT CAGE ASSEMBLY	
D	525097	900 DRUM ASSEMBLY	
12	206135	TOGGLE FASTENER	
13	206024	FLANGE NECK WITH BAYONET	
14	227811	WATER DEFLECTOR	
15	204060	WHEEL CASTOR (3 INCH CASTOR)	
16	207126	MESH FILTER	