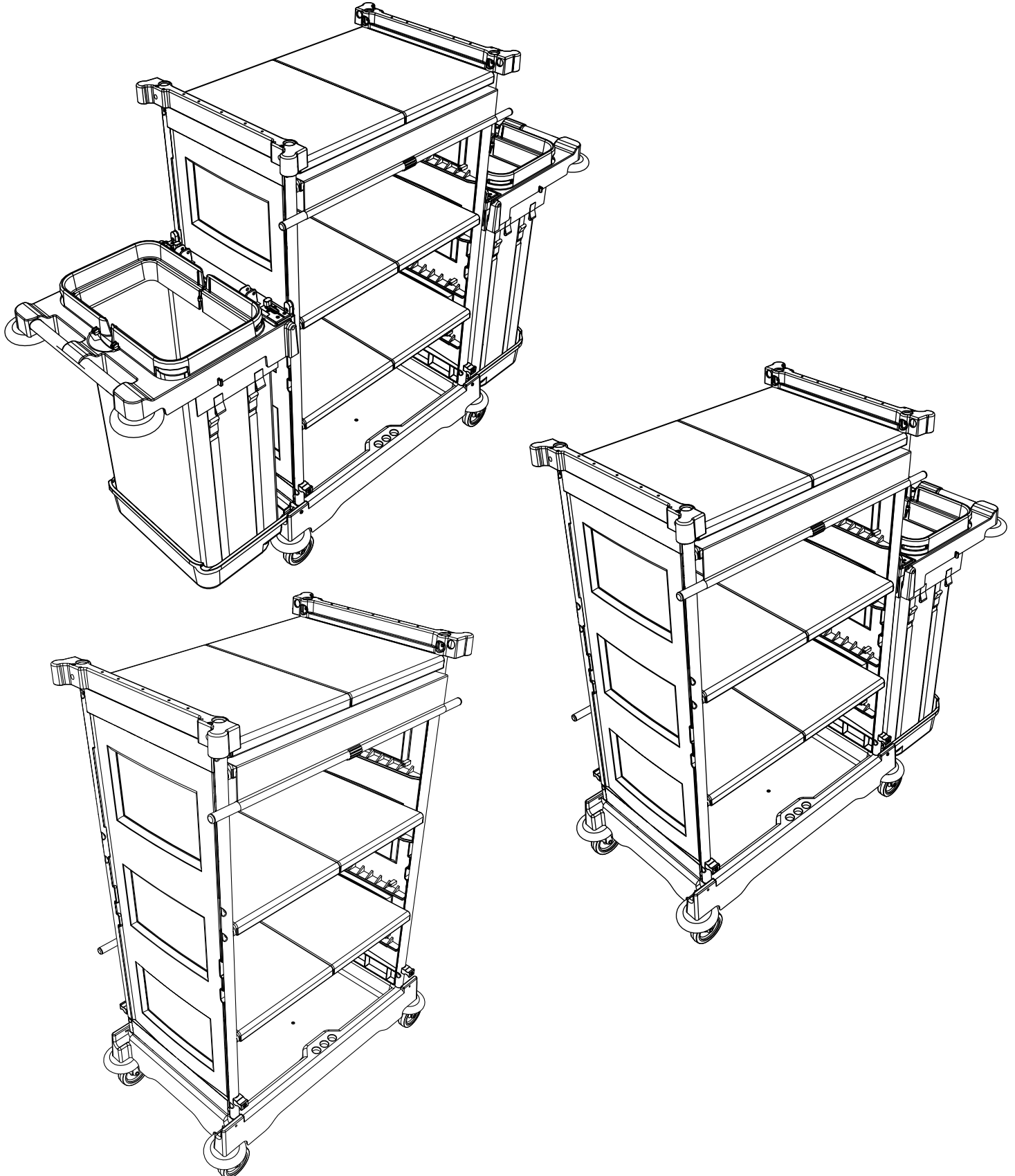
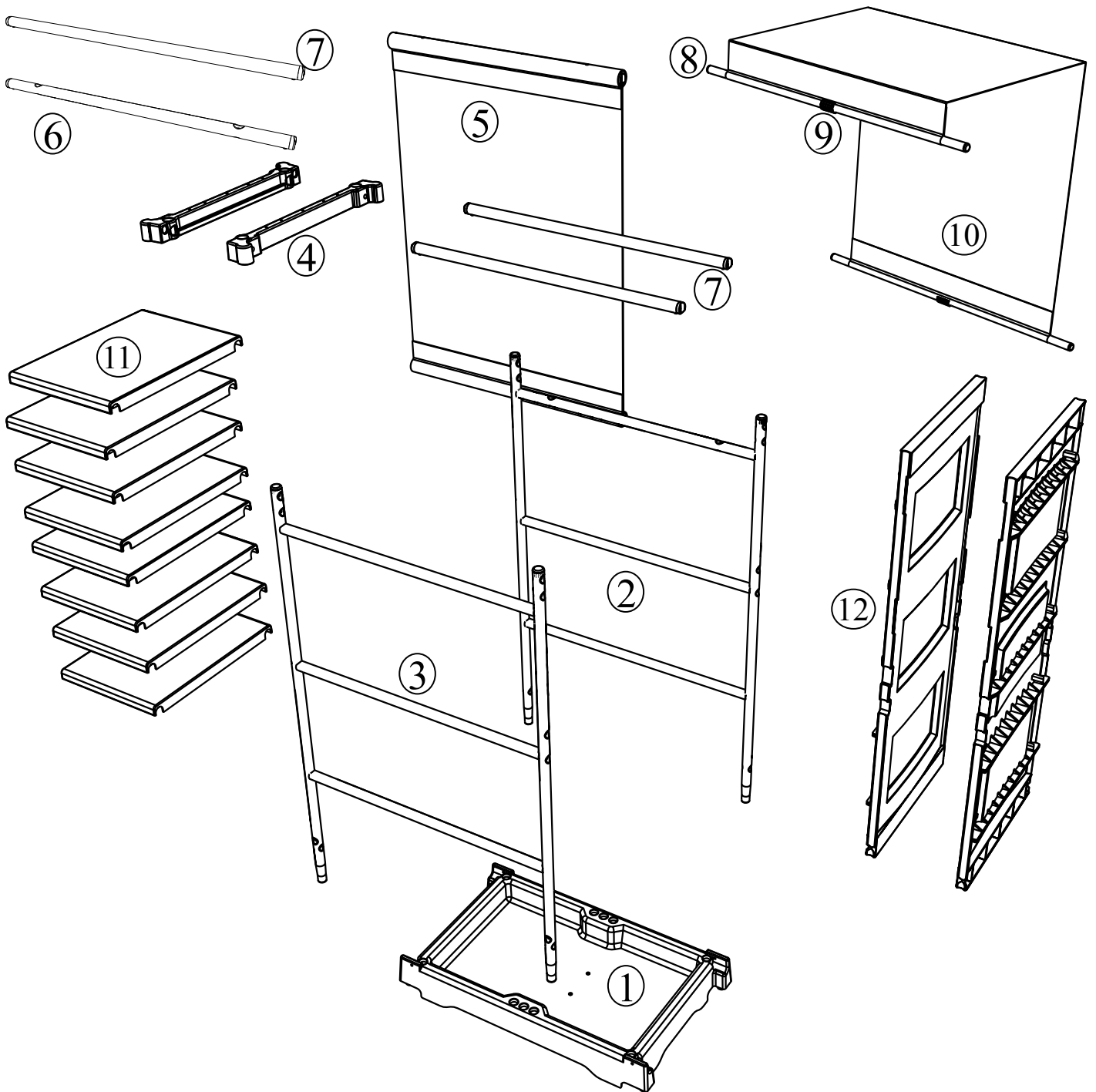


Numatic

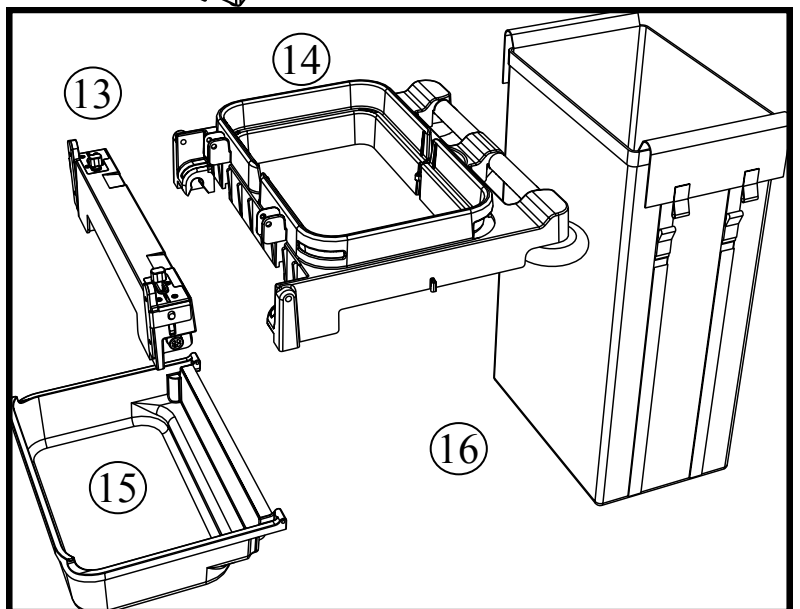
NKT0/1/2



NKT0-NKT1-NKT2



NKT1/2



NKT0-NKT1-NKT2

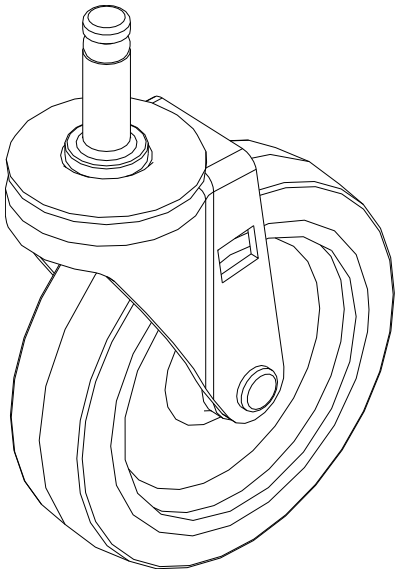
ITEM	PART	DESCRIPTION	QTY
1	318756	BASE	1
2	906543	REAR UPRIGHT FRAME	1
3	906541	FRONT UPRIGHT FRAME	1
4	223390	DOOR MOUNTING MOULDING	2
5	206307	TWIN REAR COVER	1
6	318632	UPPER REAR TIE BAR WITH HOLES	1
7	318609	TIE BAR NO HOLES	3
8	906548	COVER PULL TUBES	2
9	206495	TUBE PROFILE MOULDING	2
10	906448	TWIN SLIDING COVER	1
11	223106	SHELF	8
12	223387	PANEL MOULDINGS	2

NKT1-NKT2

ITEM	PART	DESCRIPTION	NKT1	NKT2
13	904612	BAG SUPPORT FRAME MOUNTING	1	2
14	904613	BAG SUPPORT FRAME ASSEMBLY	1	2
15	227971	BAG SUPPORT TRAY	1	2
16	618001	100LTR LAUNDRY BAG	1	2

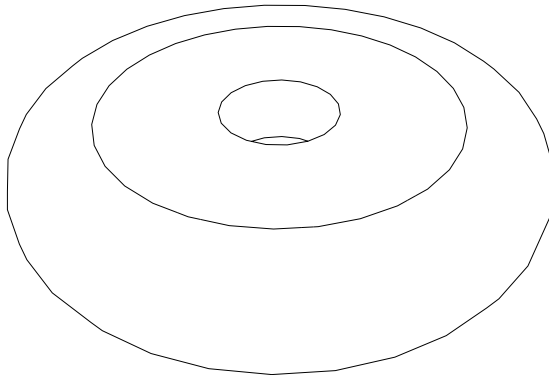
NKT0-NKT1-NKT2

204062



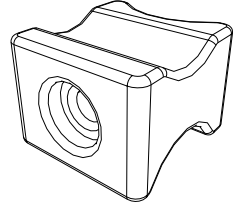
x 4

204030



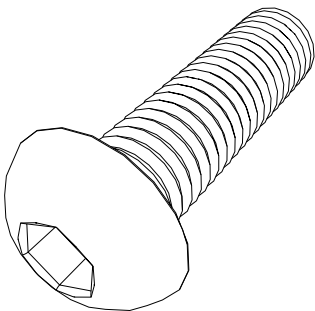
x 4

223212



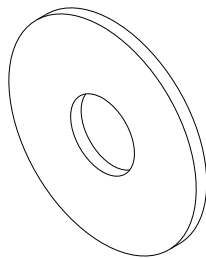
x 4

219555
M8 X 25



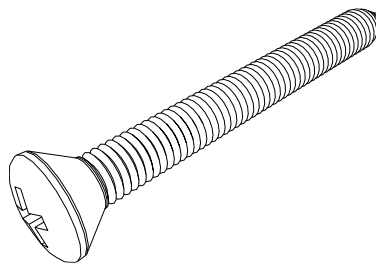
x 4

221154
M8



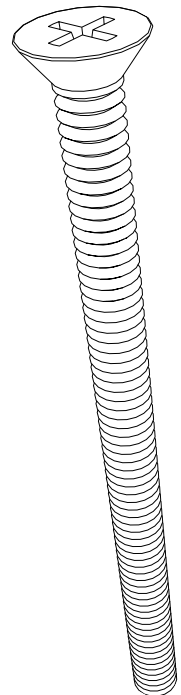
x 4

219839
No8 X 1 1/2 INCH



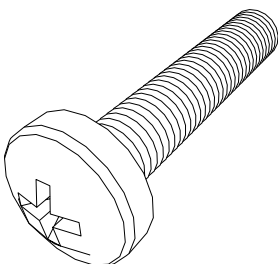
x 6

219422
M6 X 70



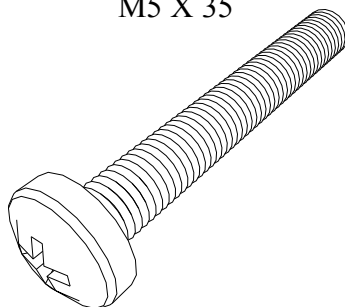
x 2

219057
M5 X 25



x 4

220033
M5 X 35

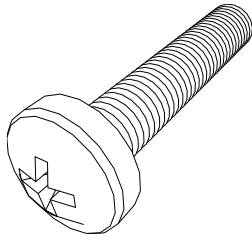


x 4

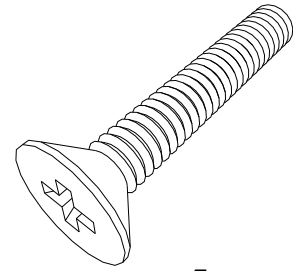
219057
M5 X 25

NKT1

904520
M5 X 30



x 2

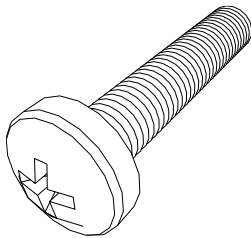


x 4

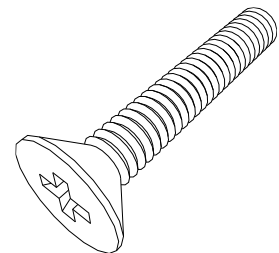
219057
M5 X 25

NKT2

904520
M5 X 30



x 4

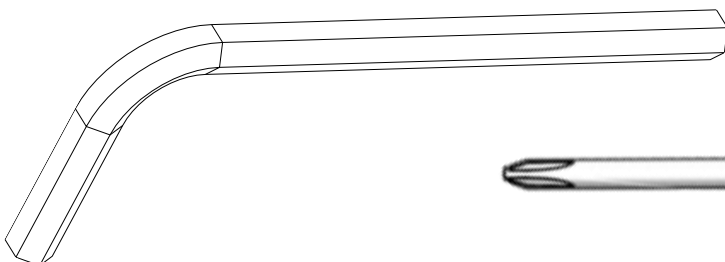
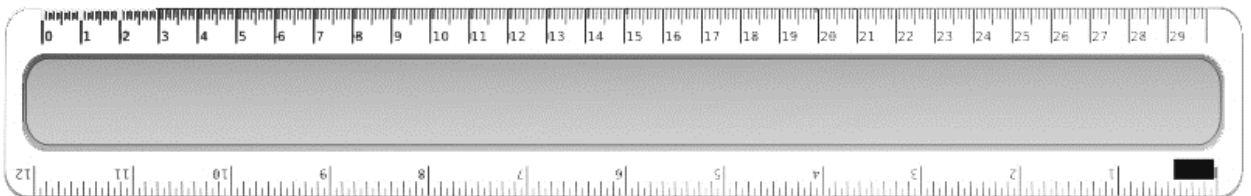
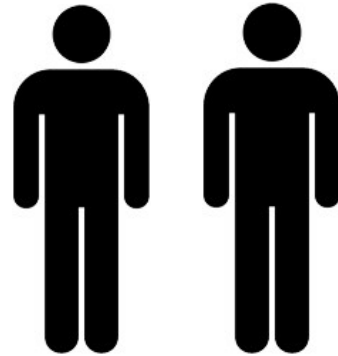


x 8

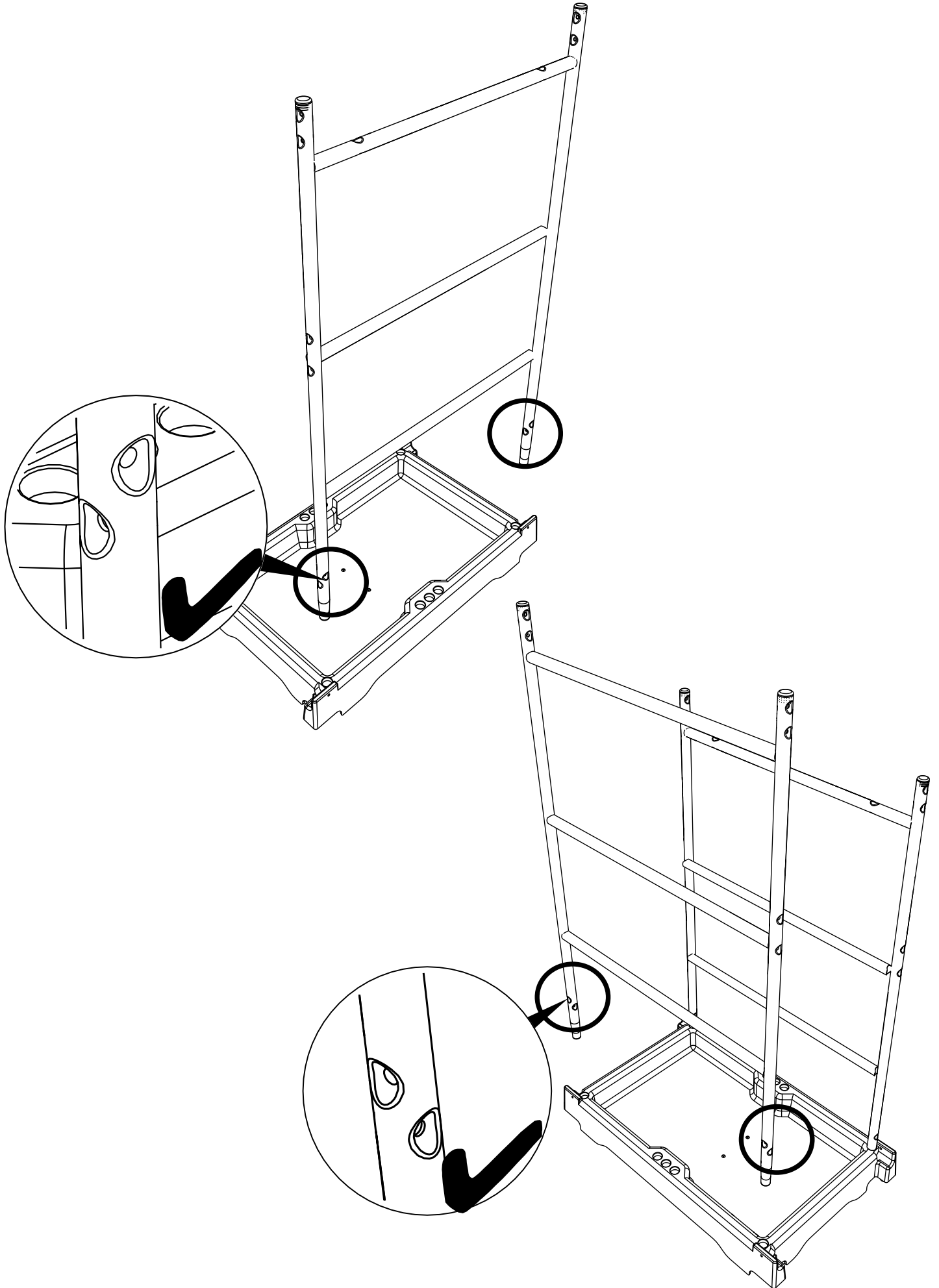


1.0 HR

NKT2

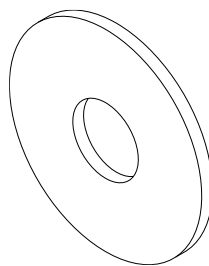
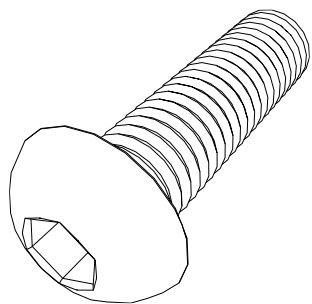


NKT0-NKT1-NKT2



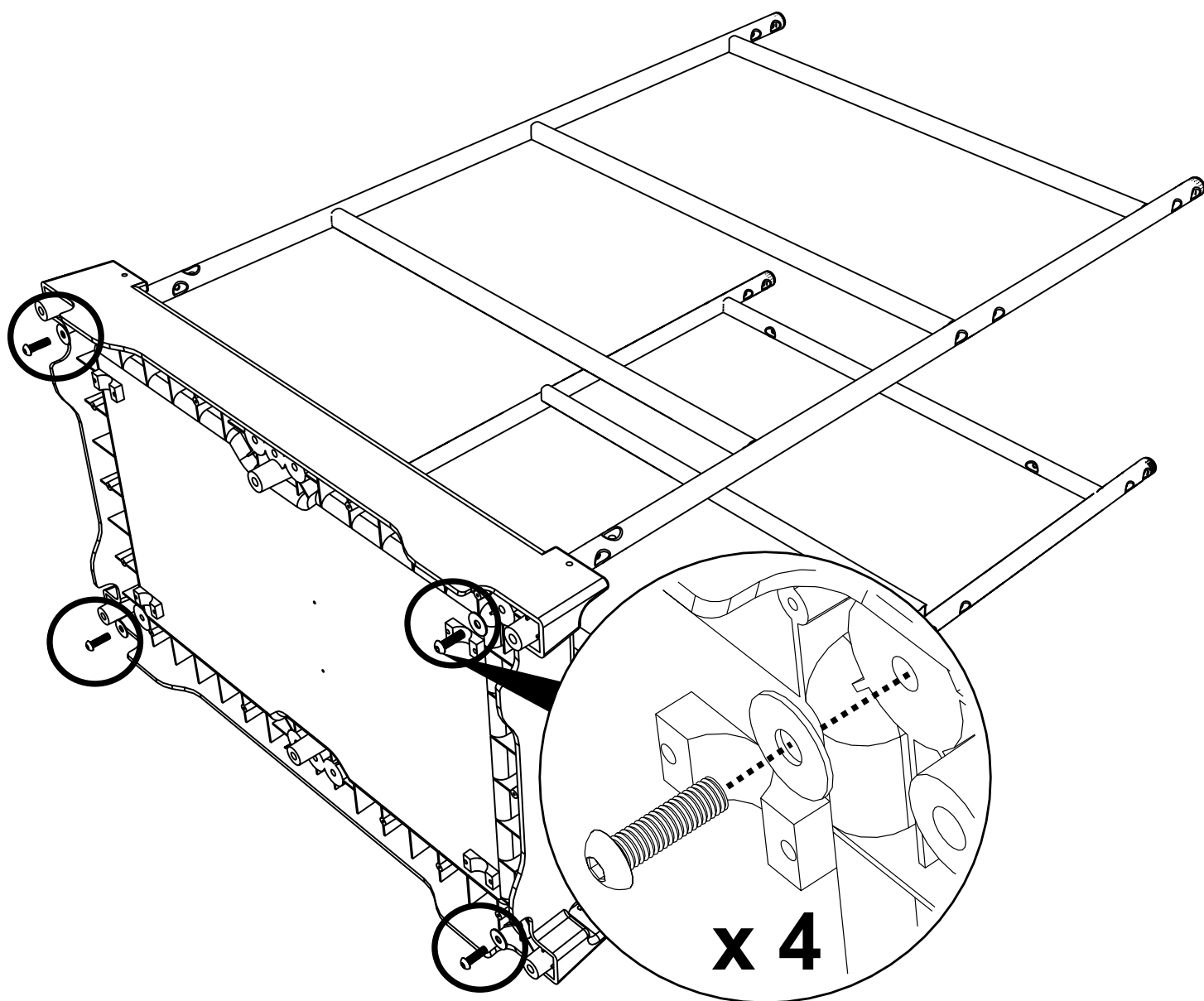
219555
M8 X 25

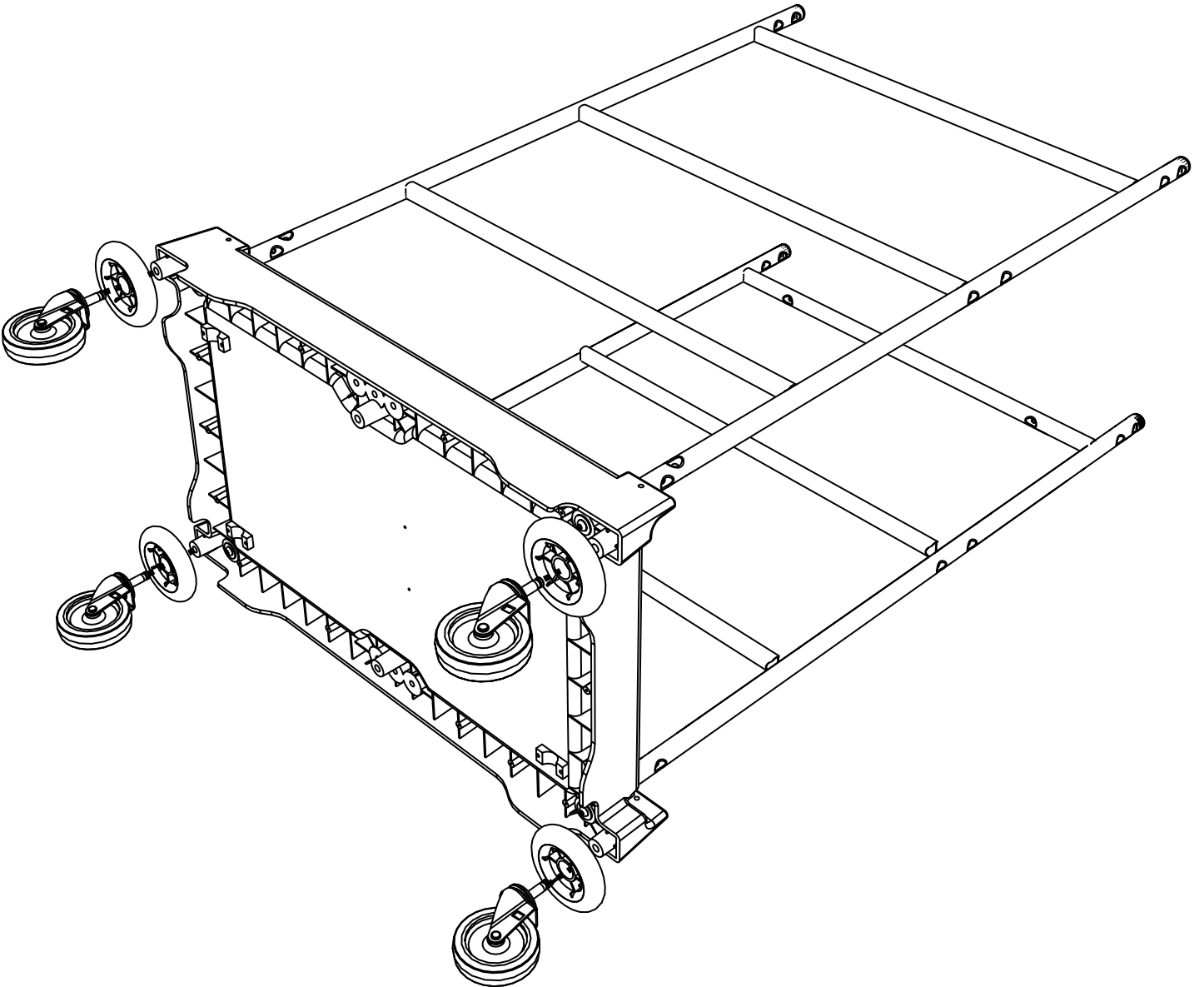
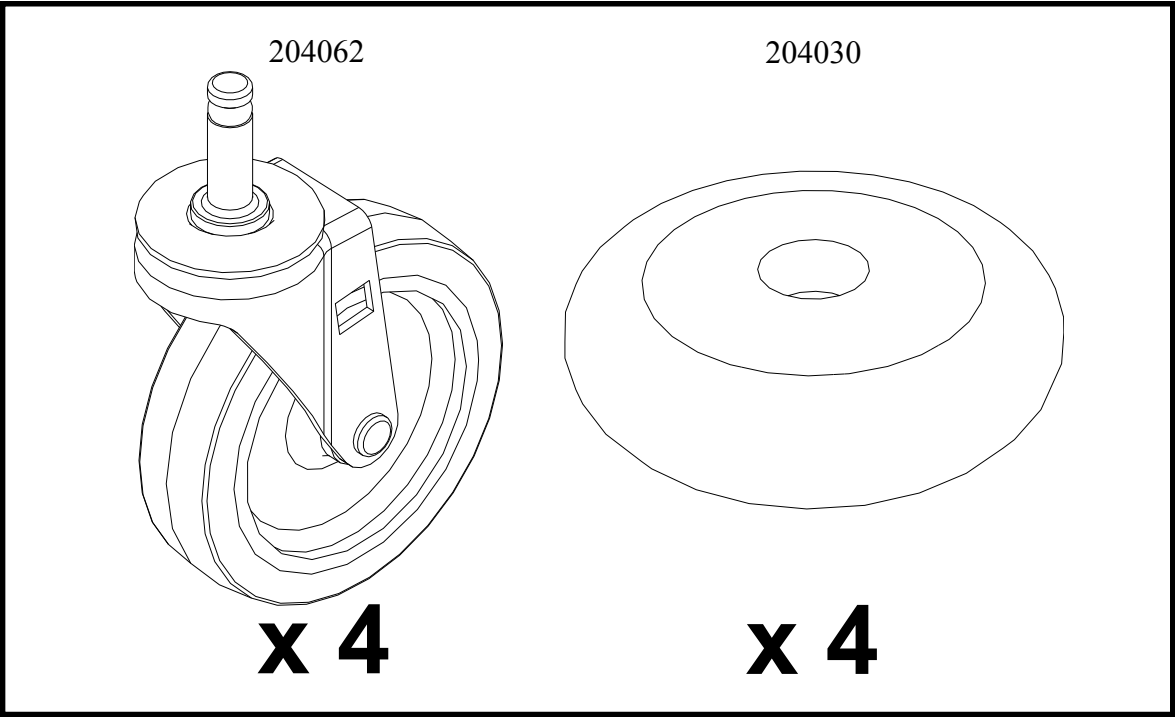
221154
M8



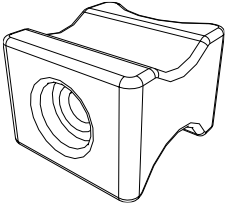
x 4

x 4



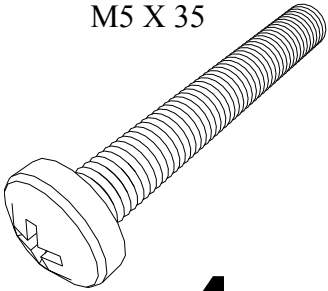


223212

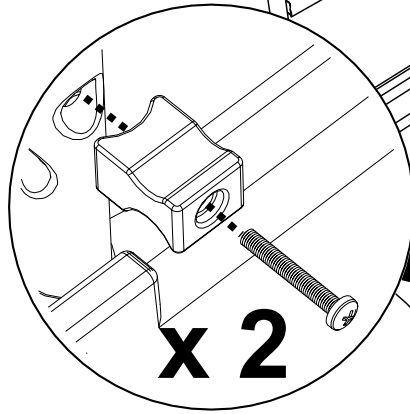


x 4

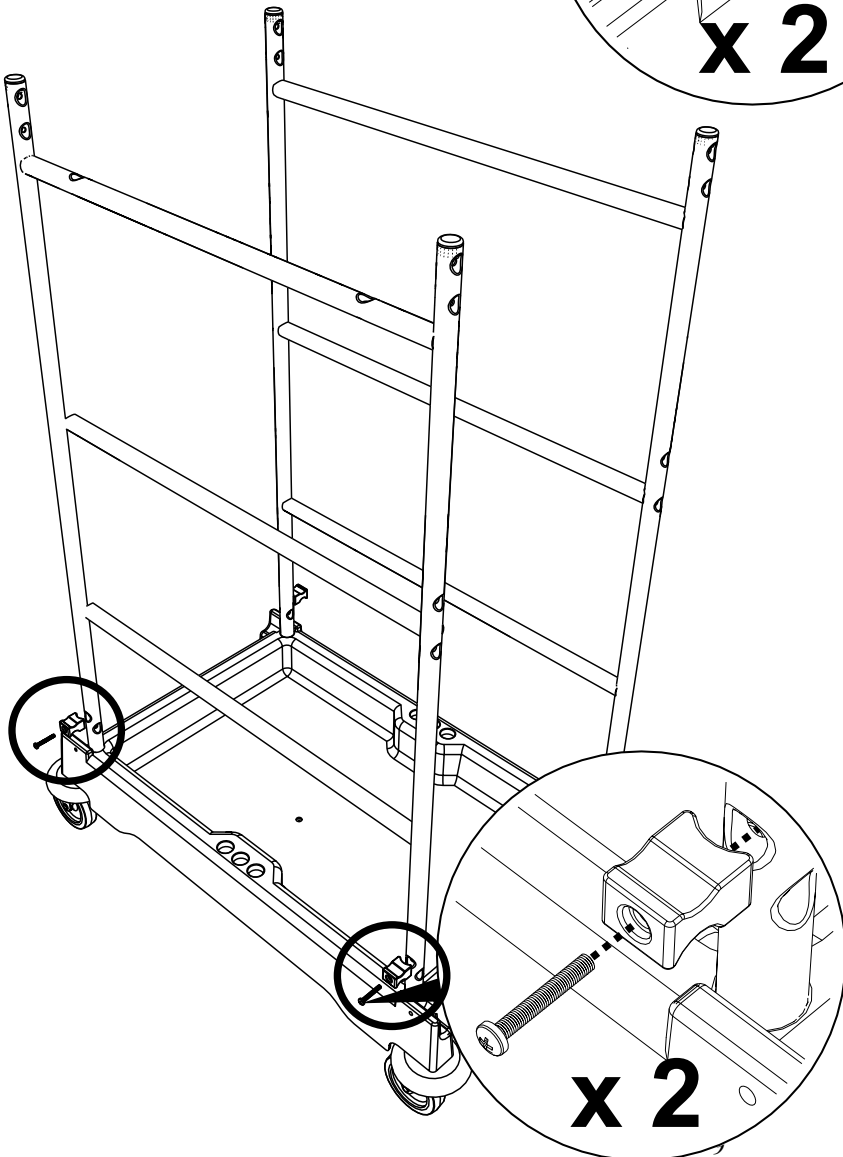
220033
M5 X 35



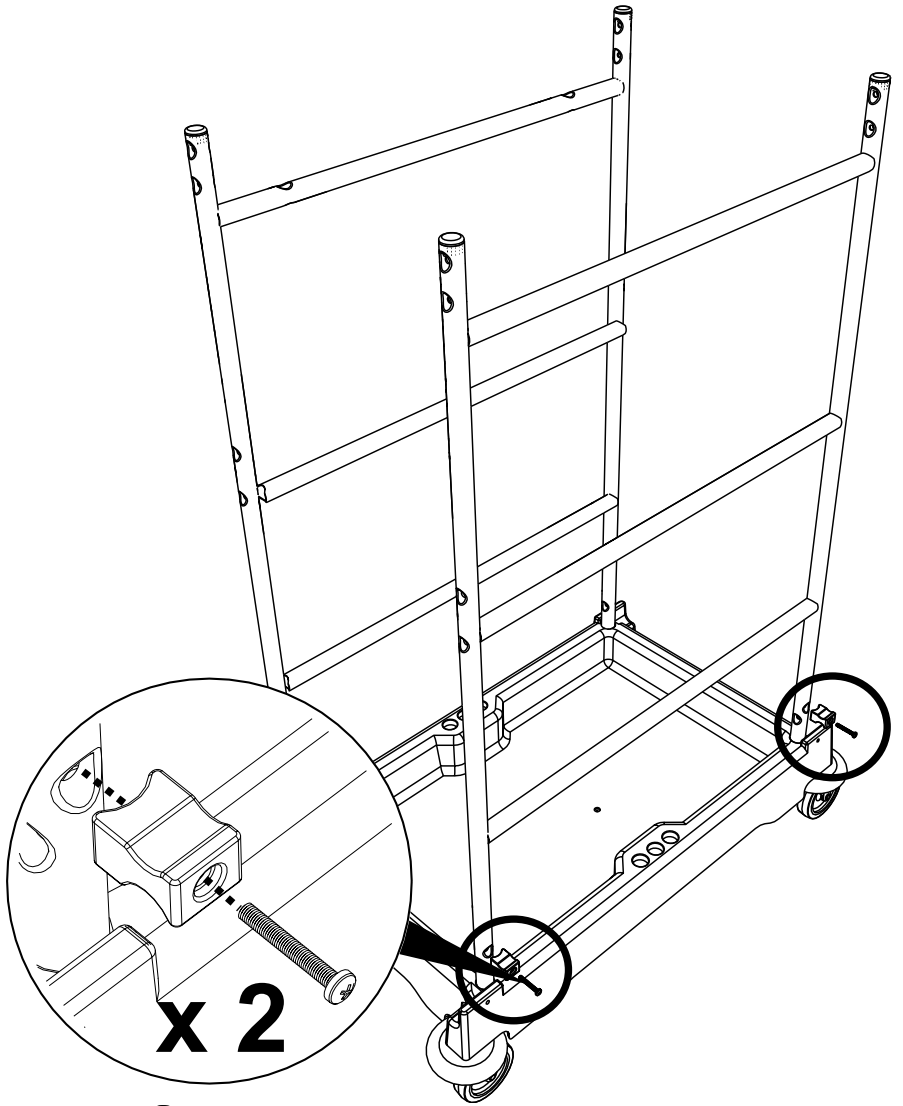
x 4

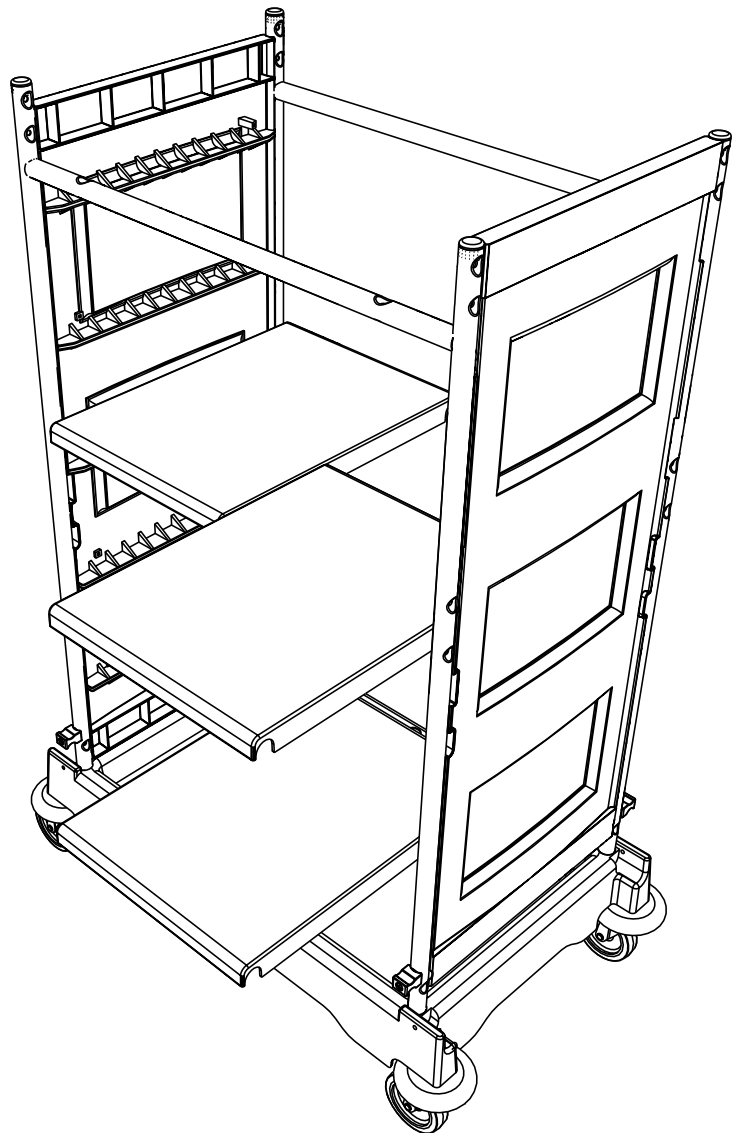
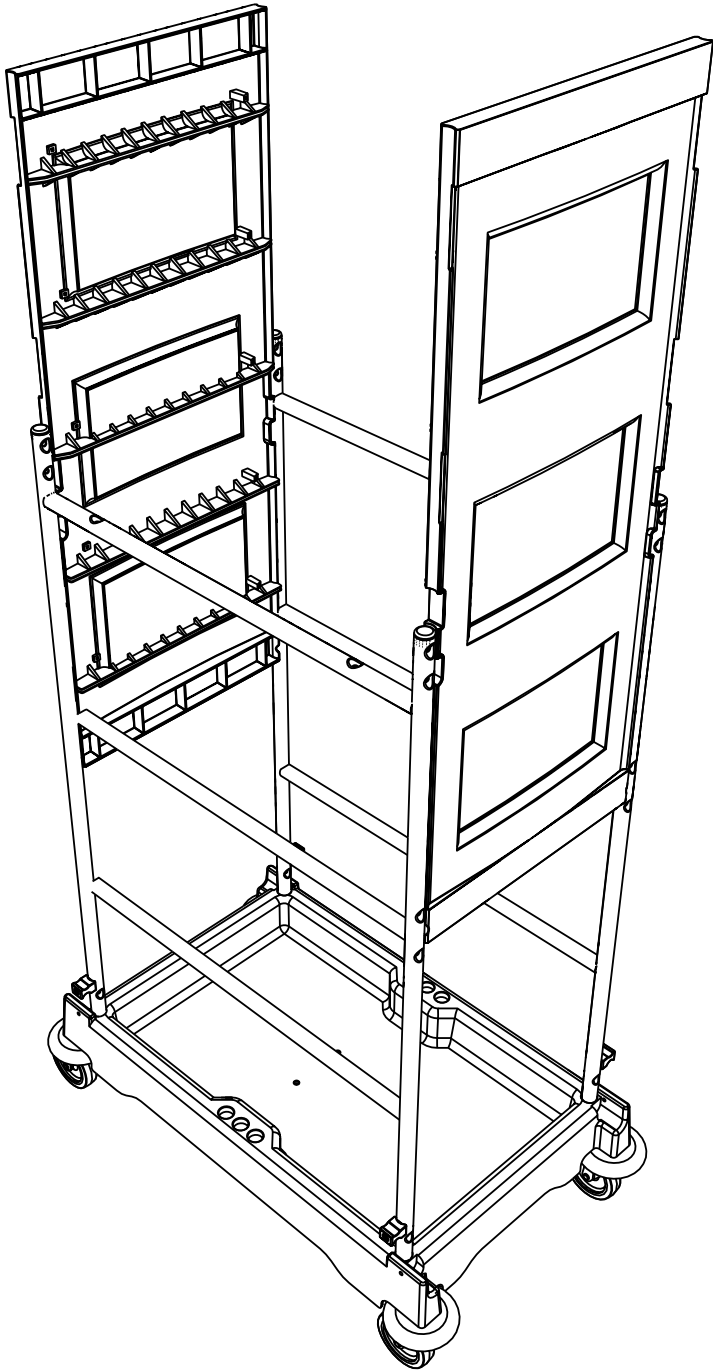


x 2

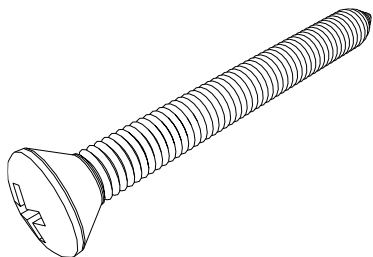


x 2

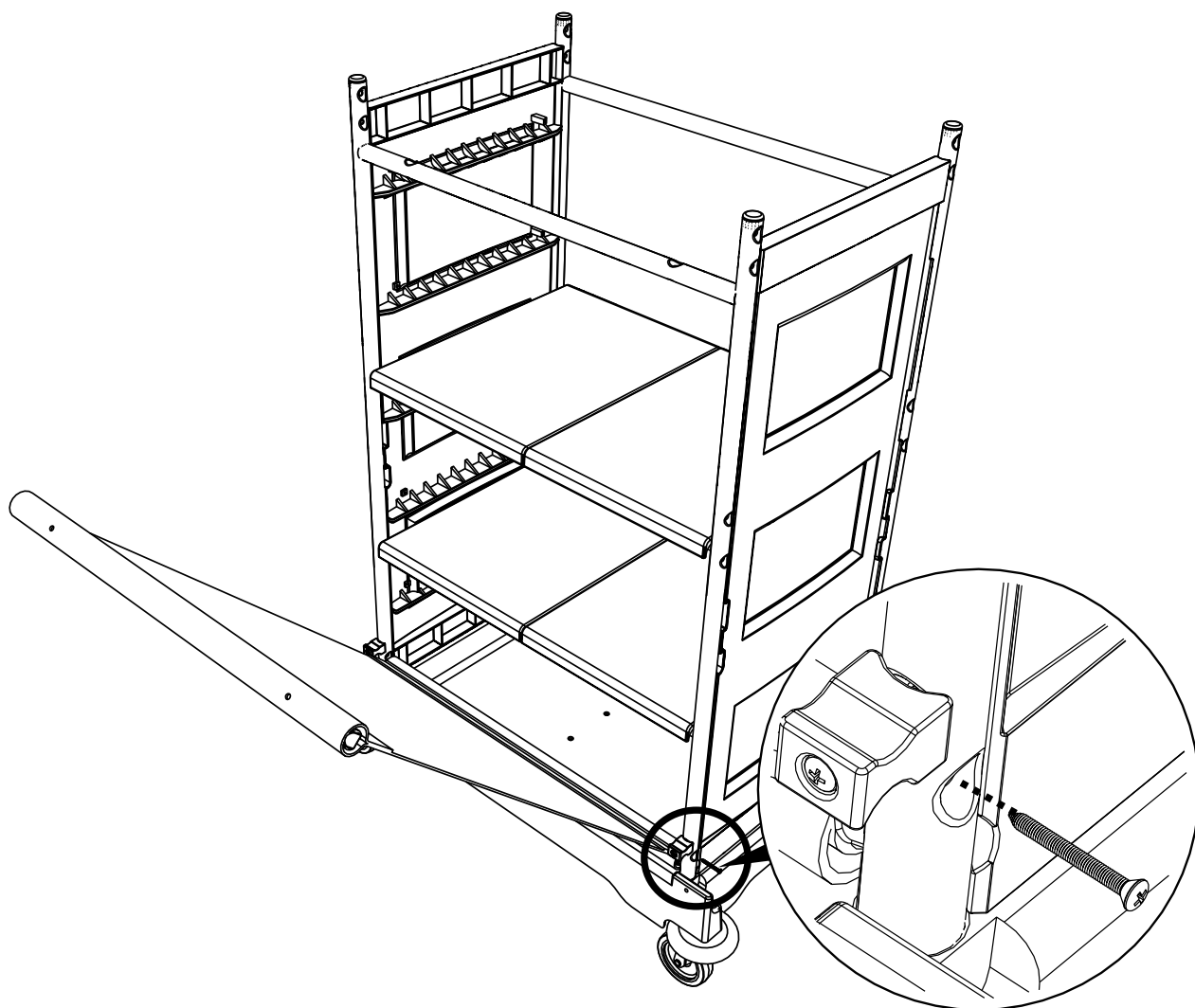
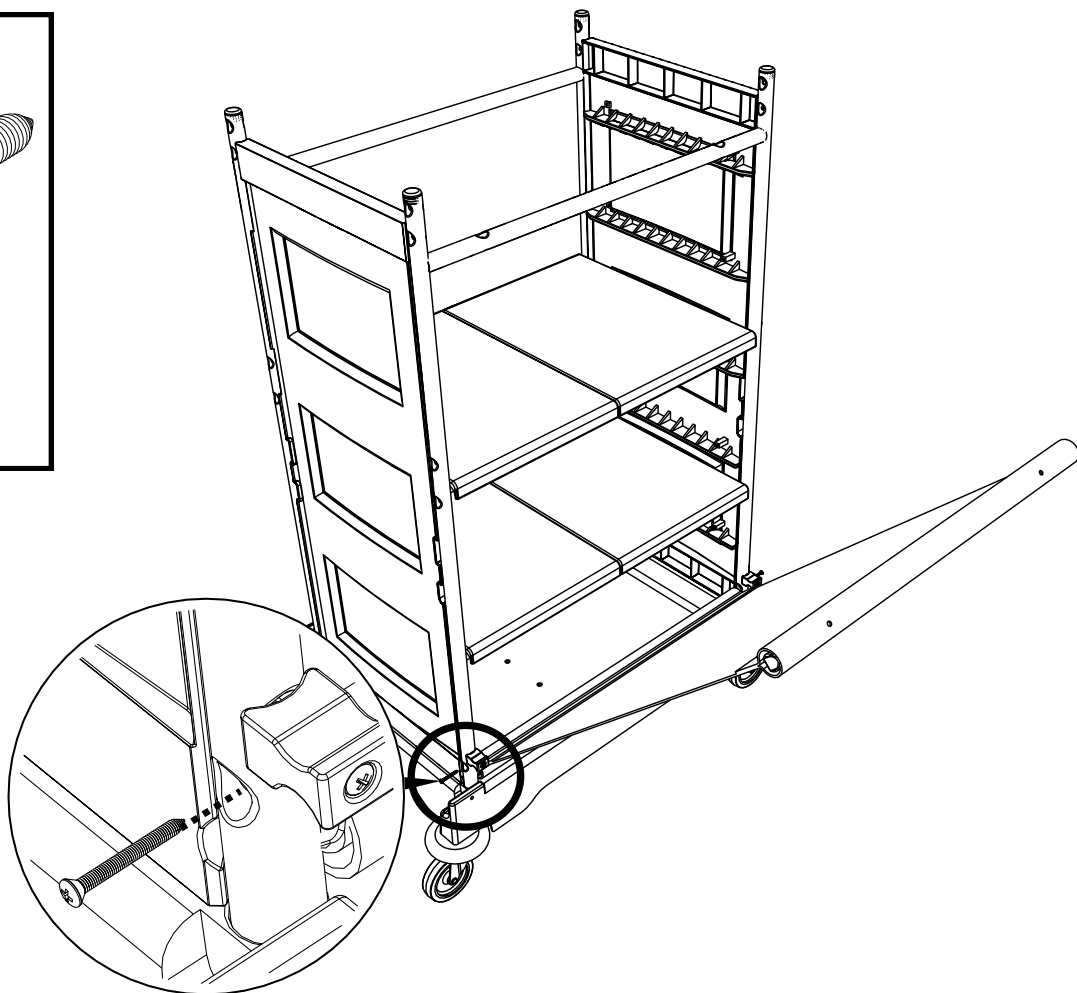




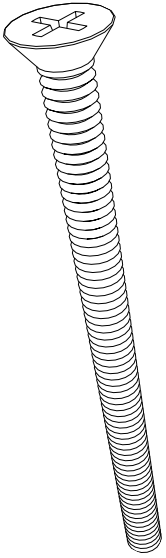
219839
No8 X 1 1/2 INCH



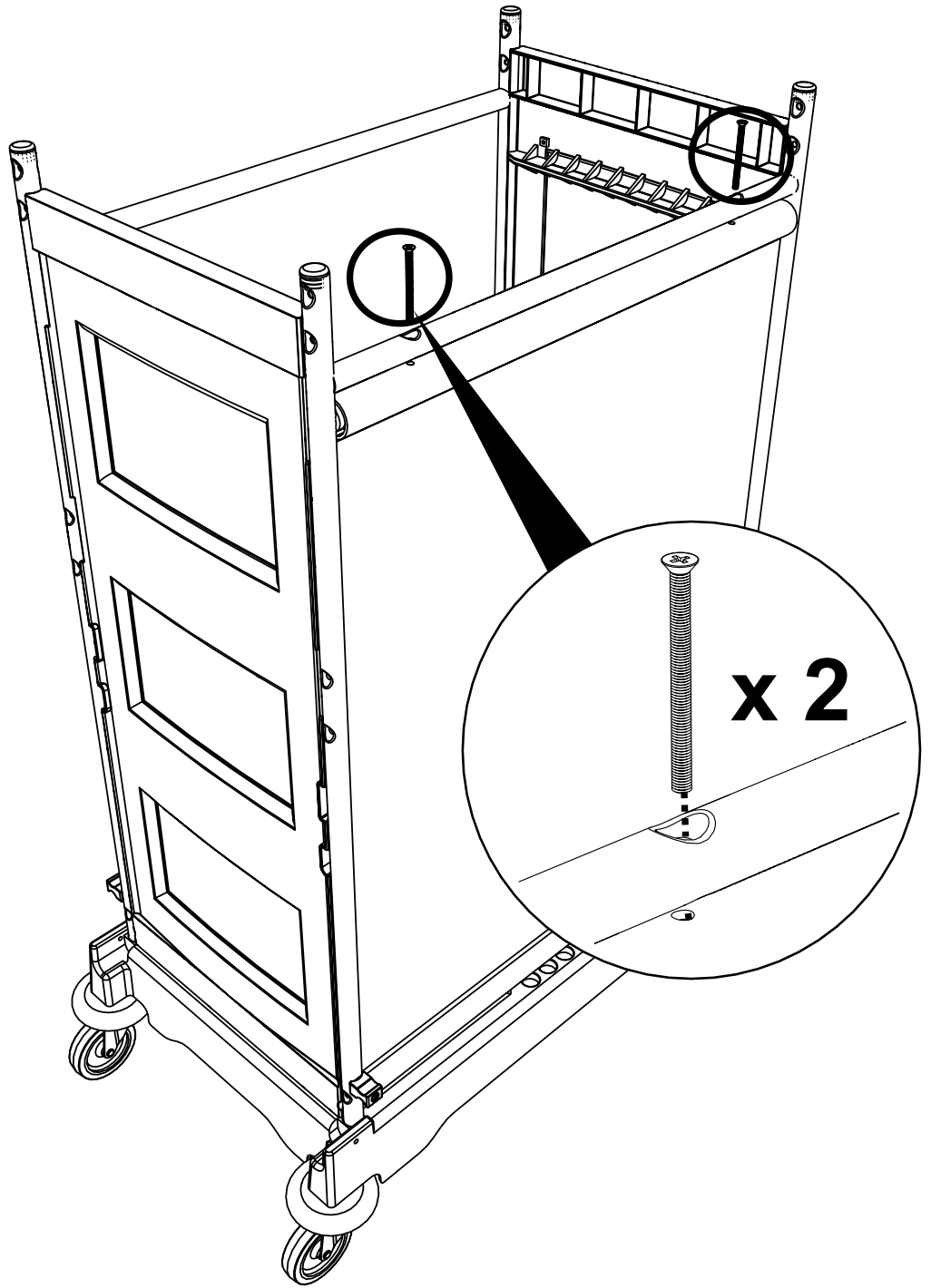
x 2



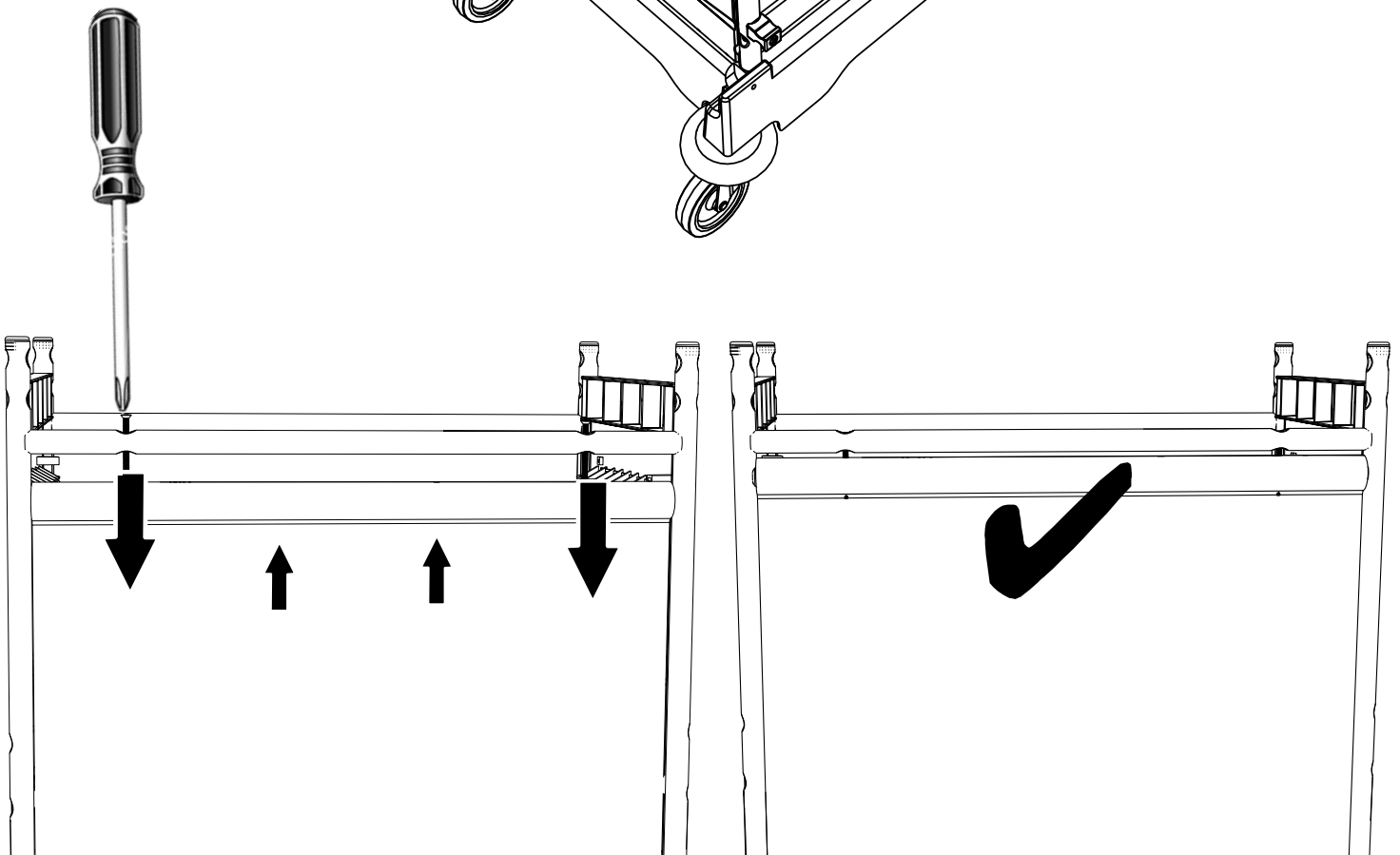
219422
M6 X 70

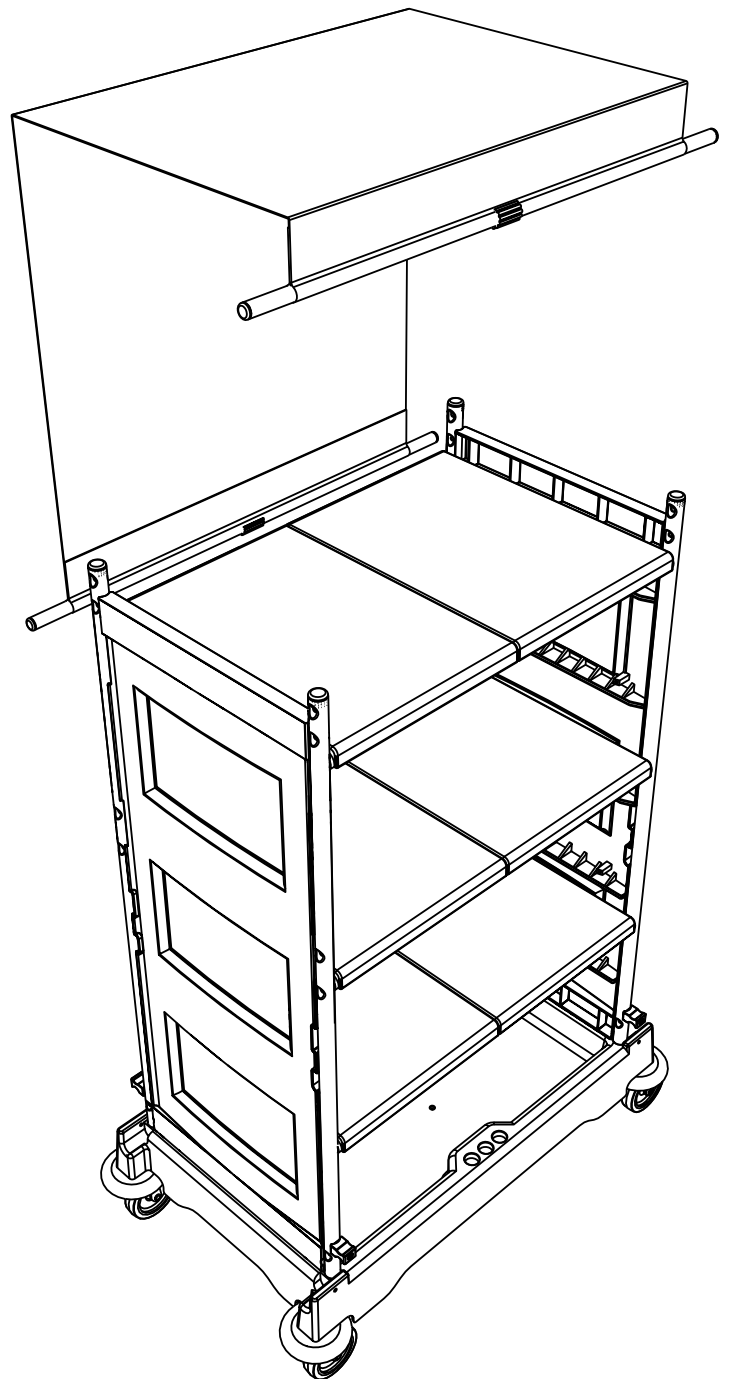
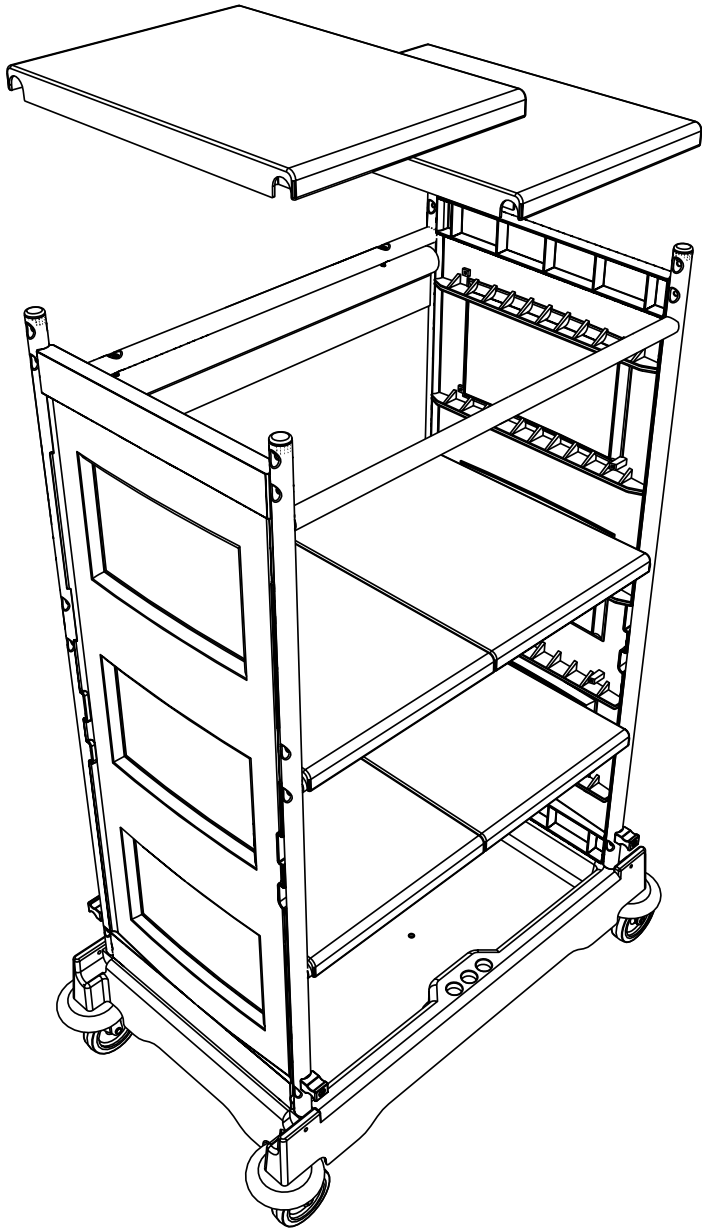


x 2

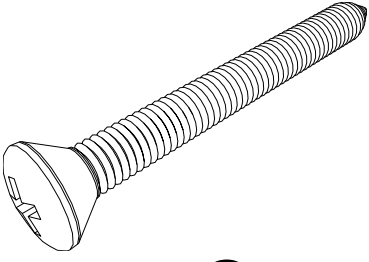


x 2

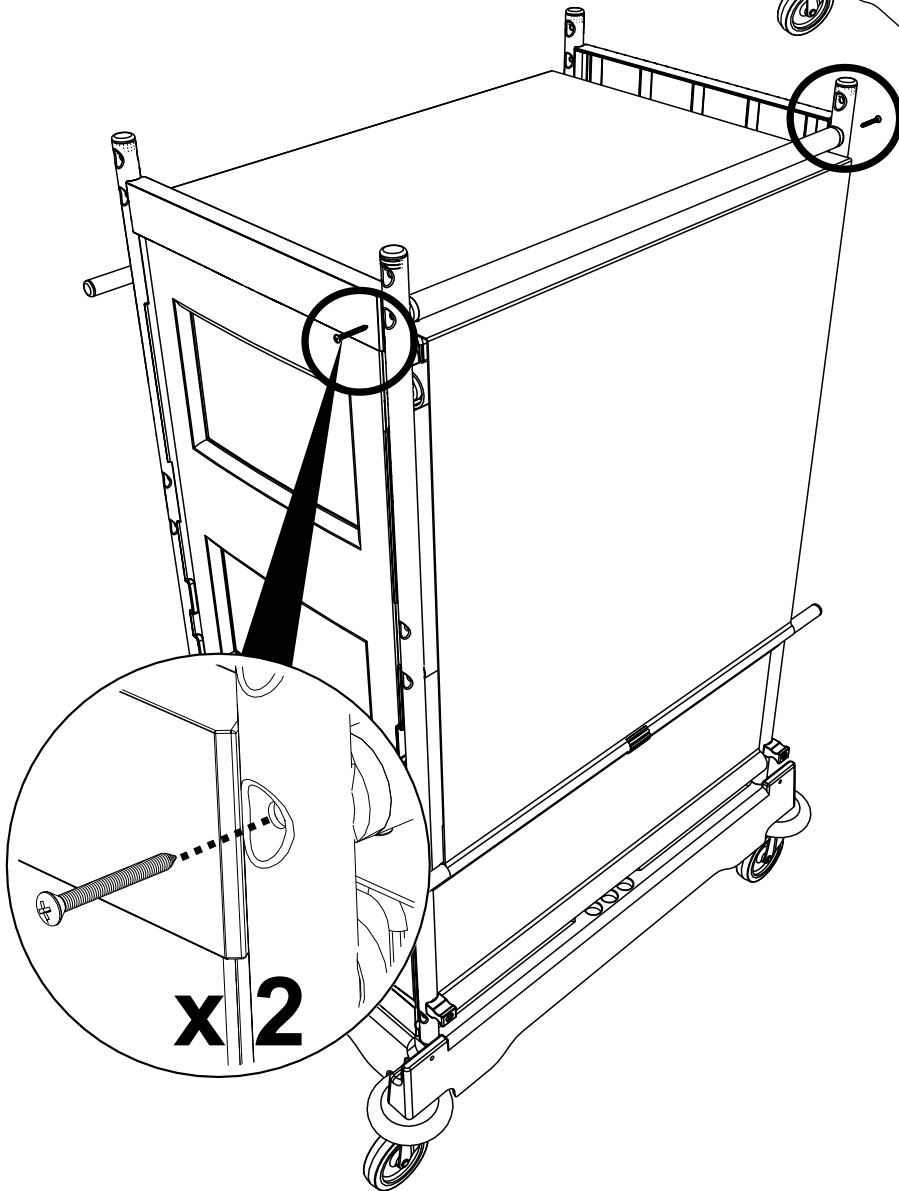
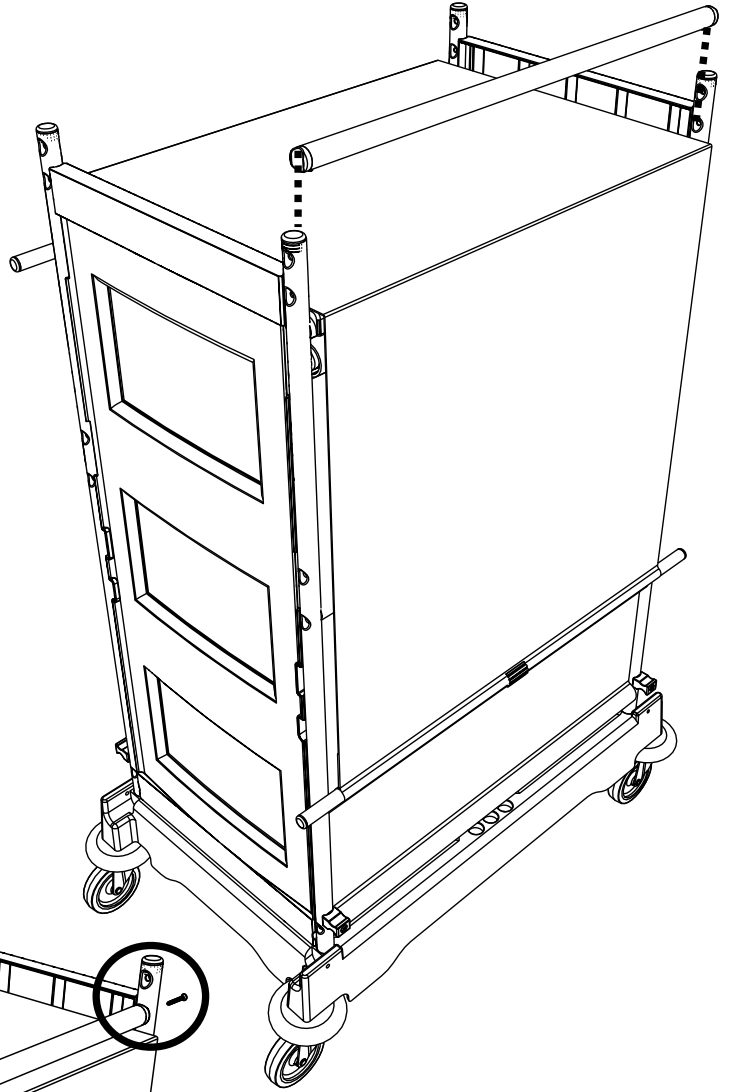




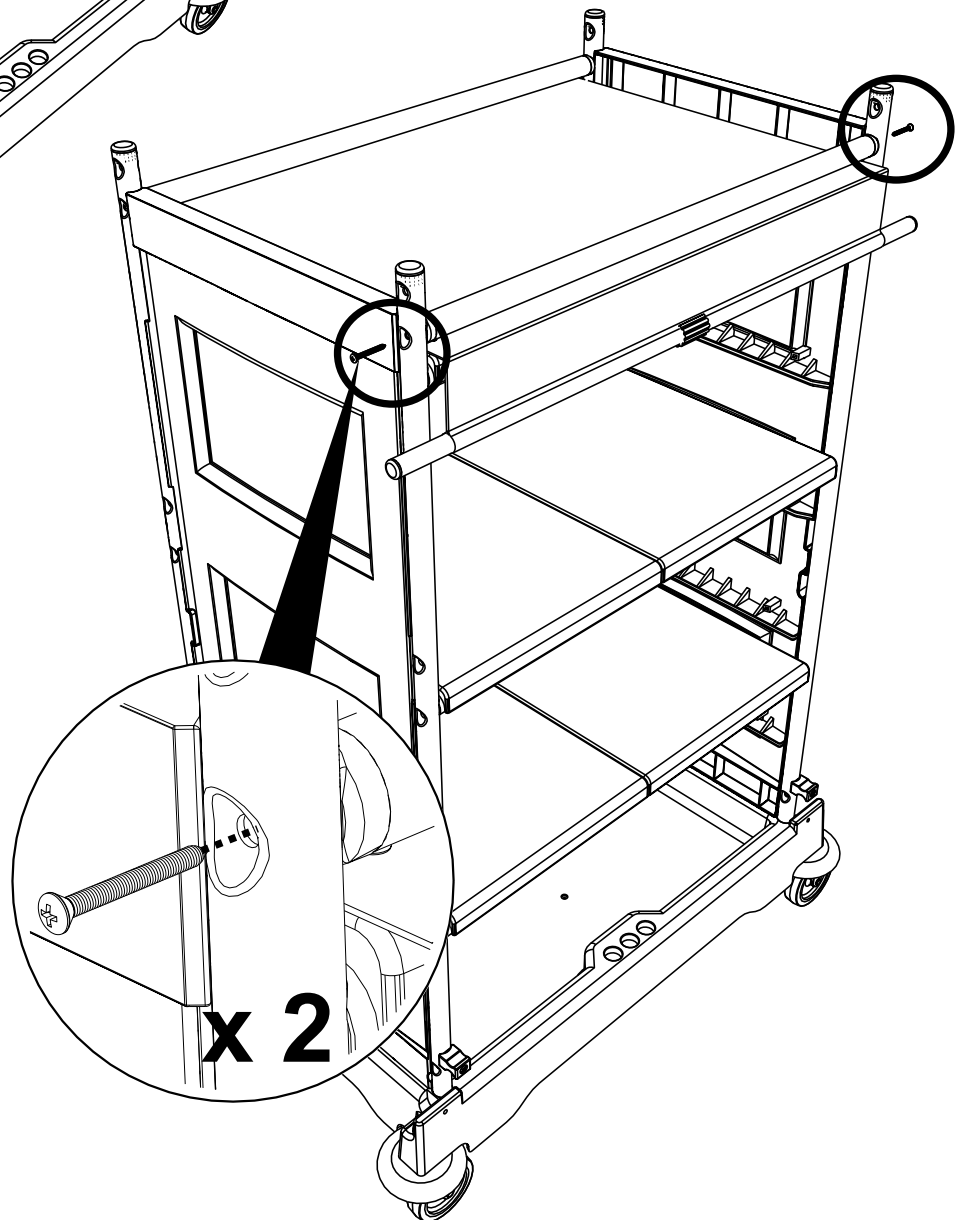
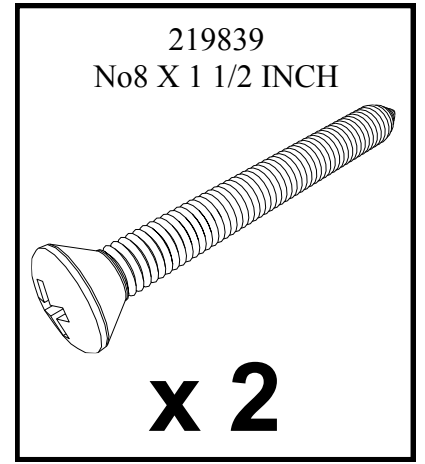
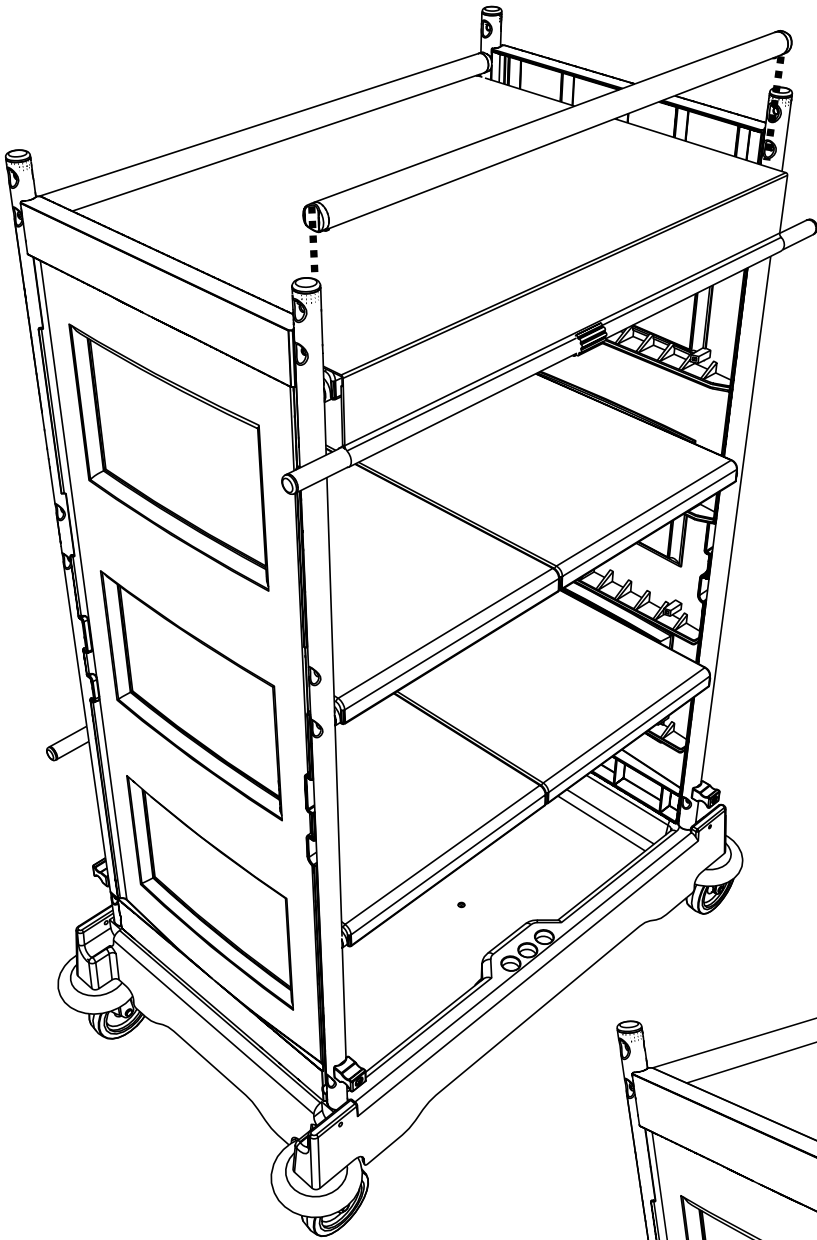
219839
No8 X 1 1/2 INCH

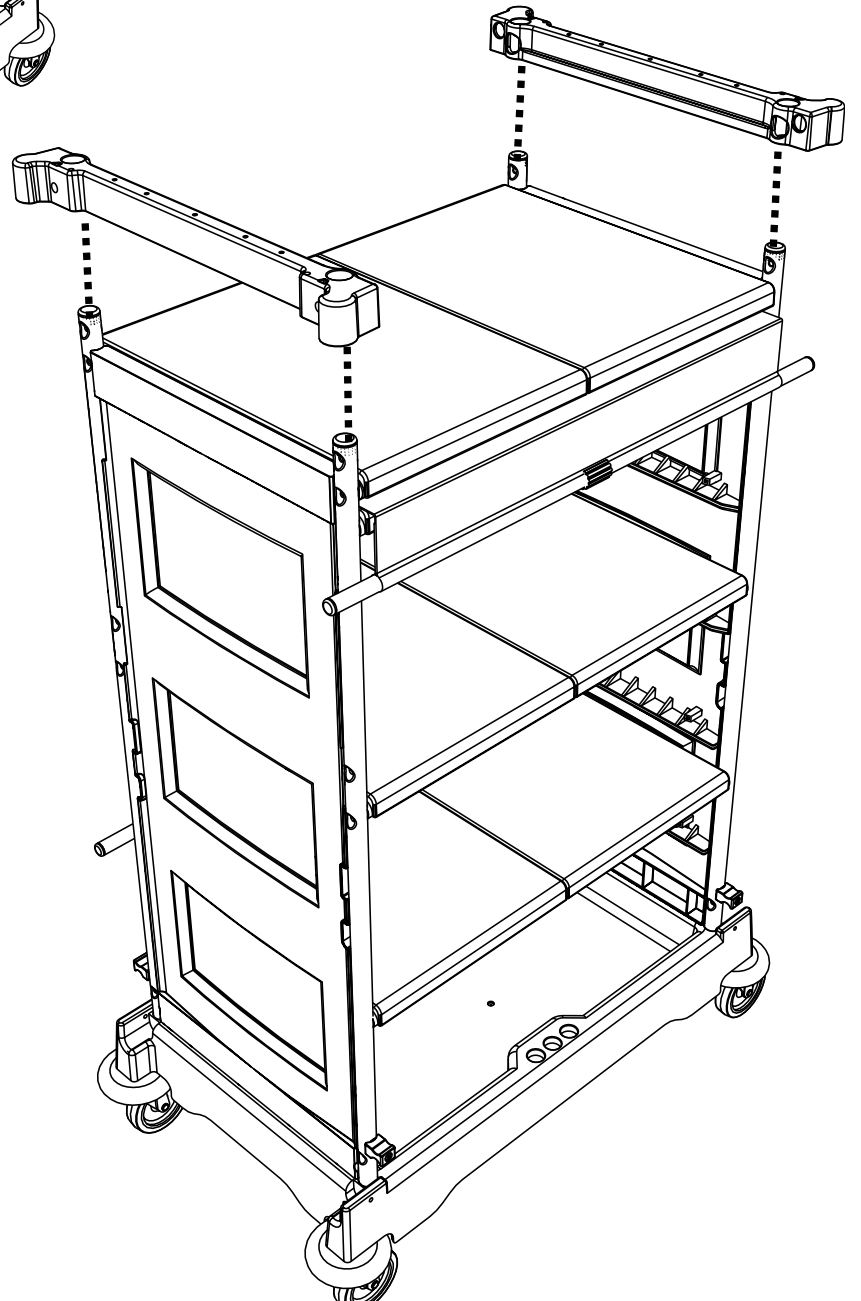
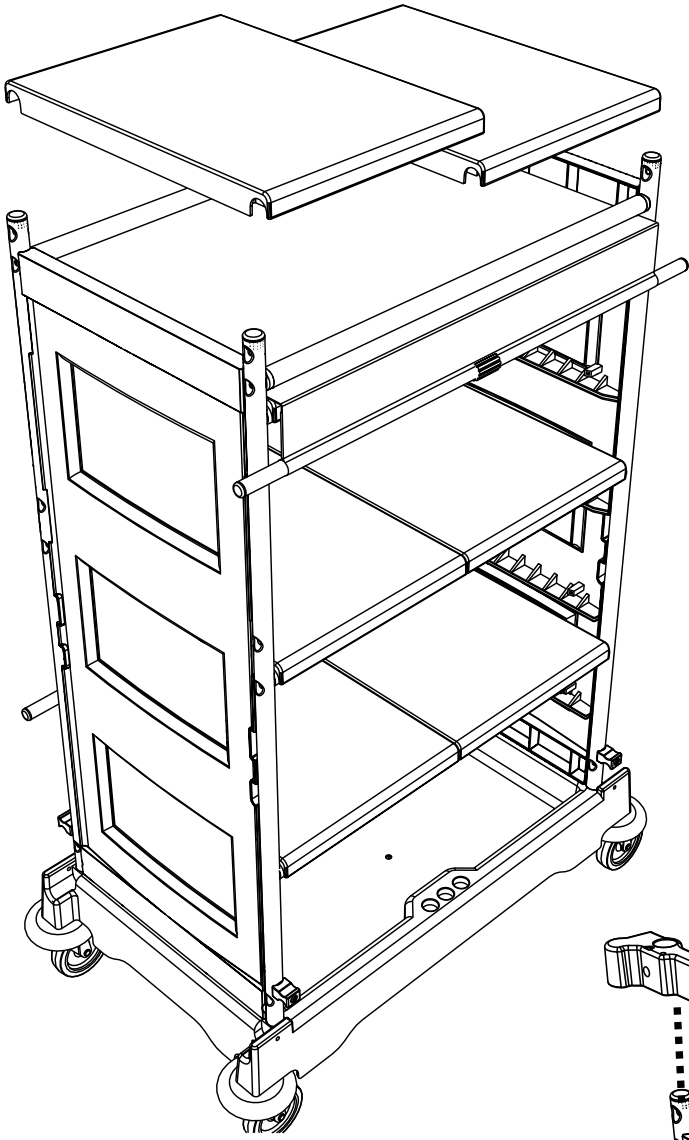


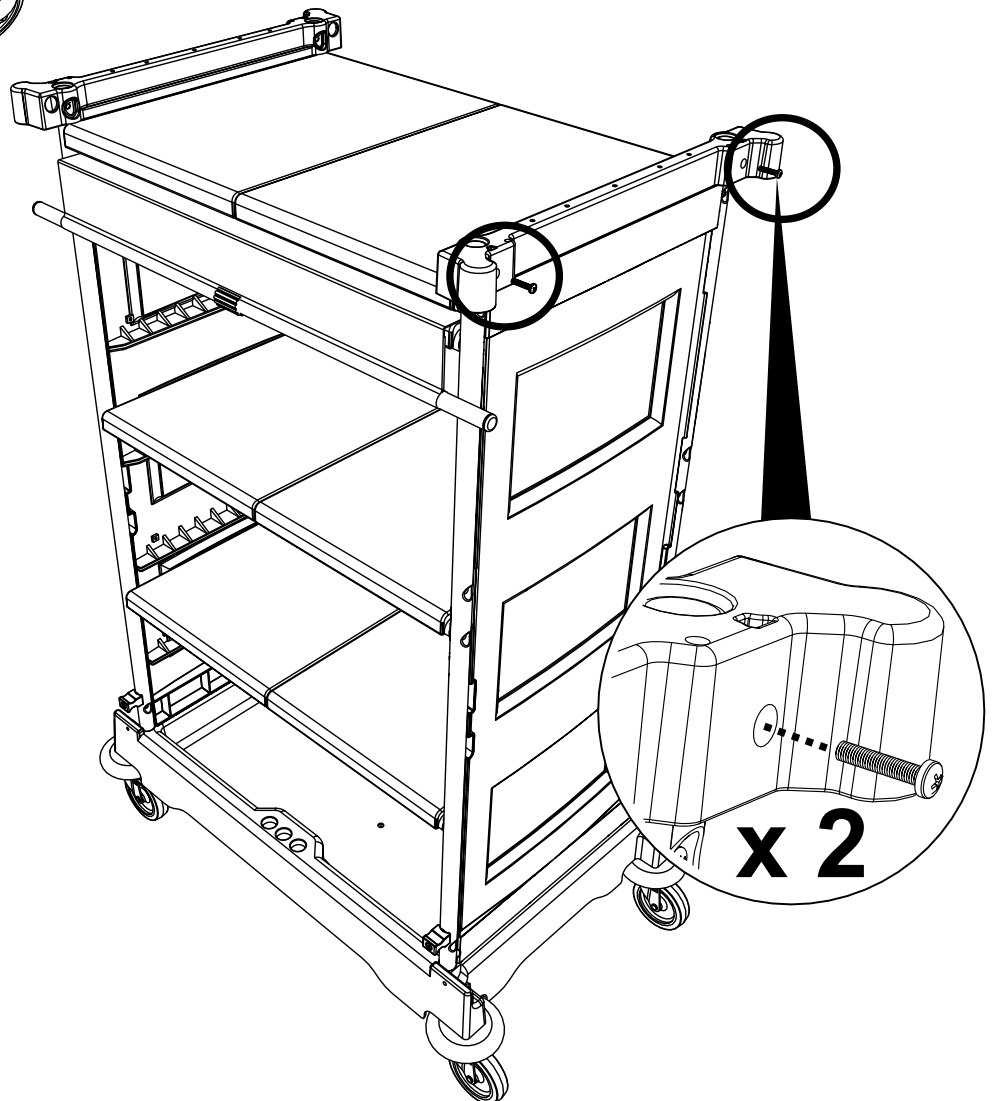
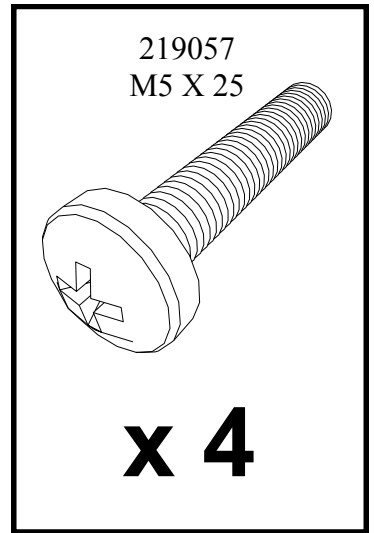
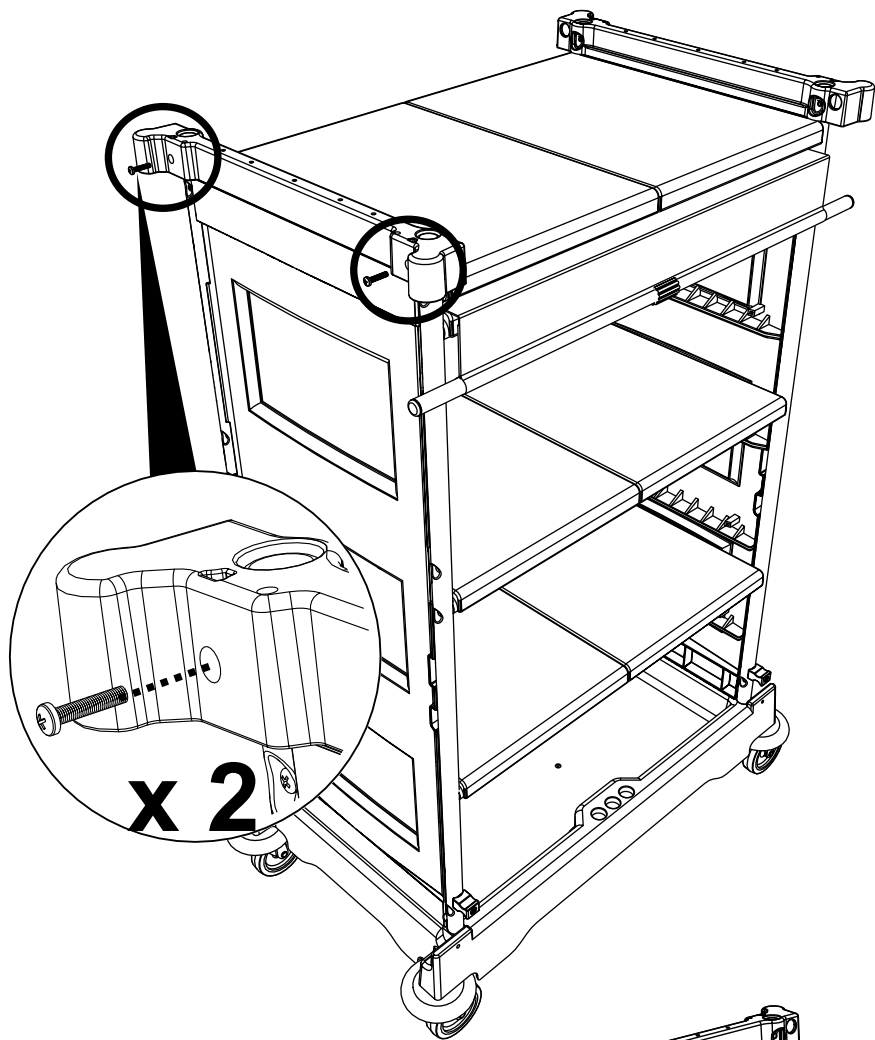
x 2

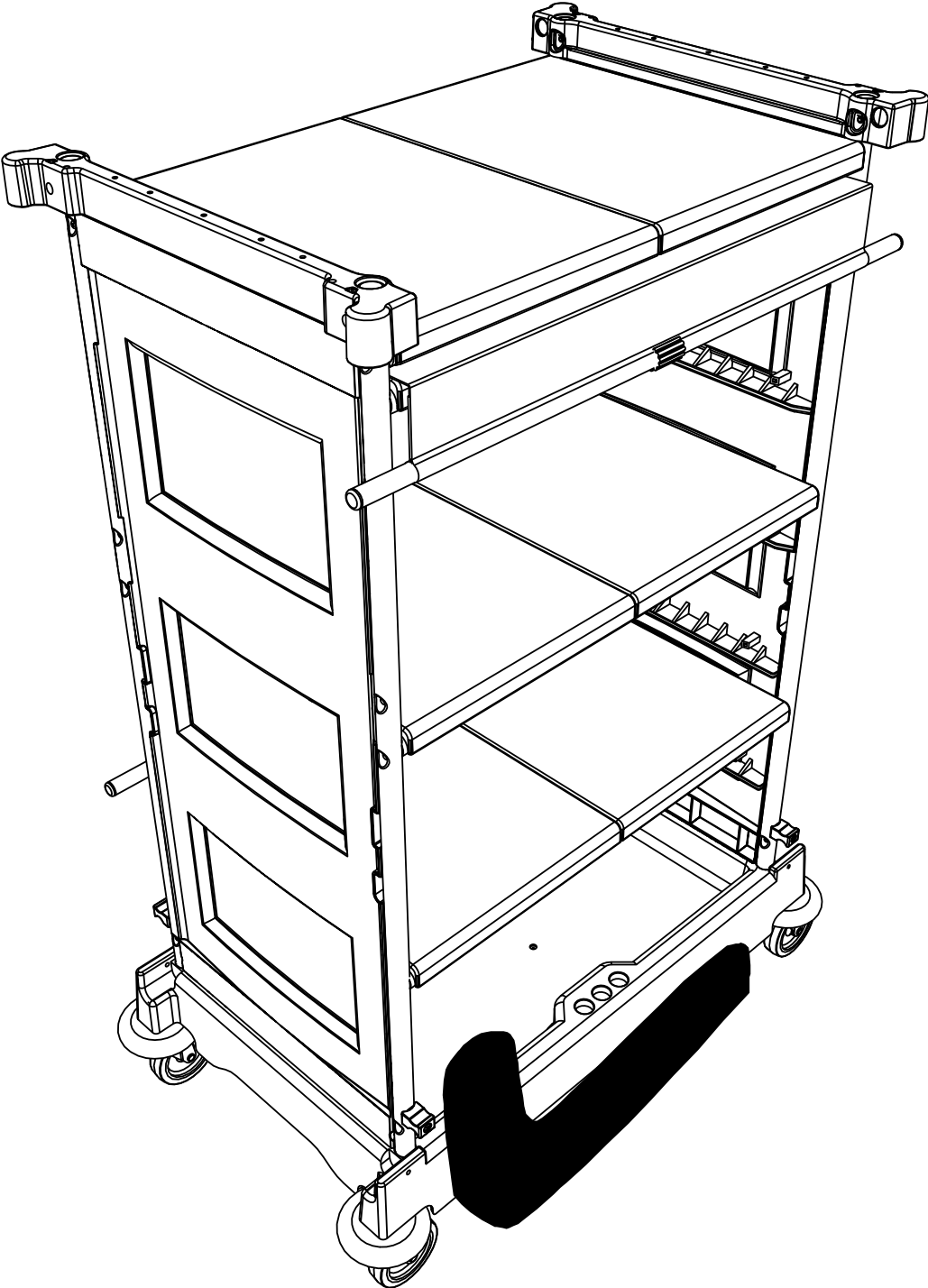


x 2



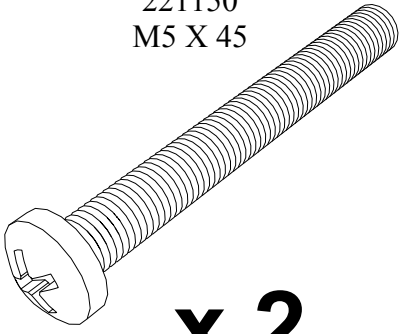




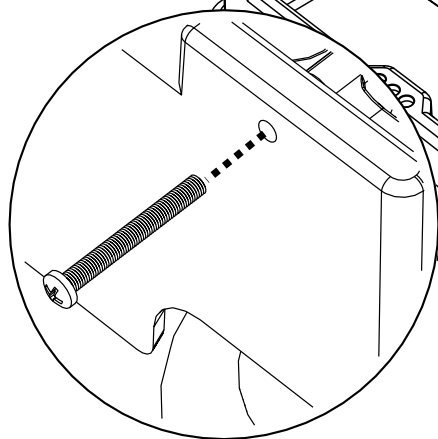
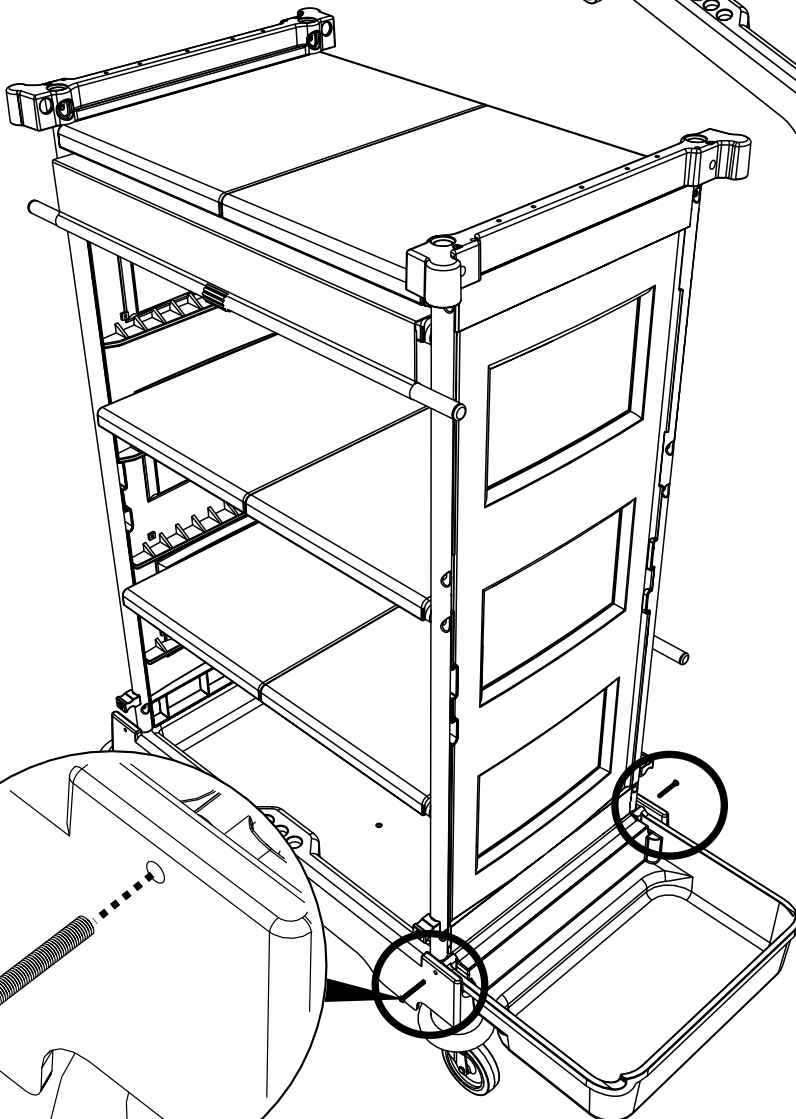
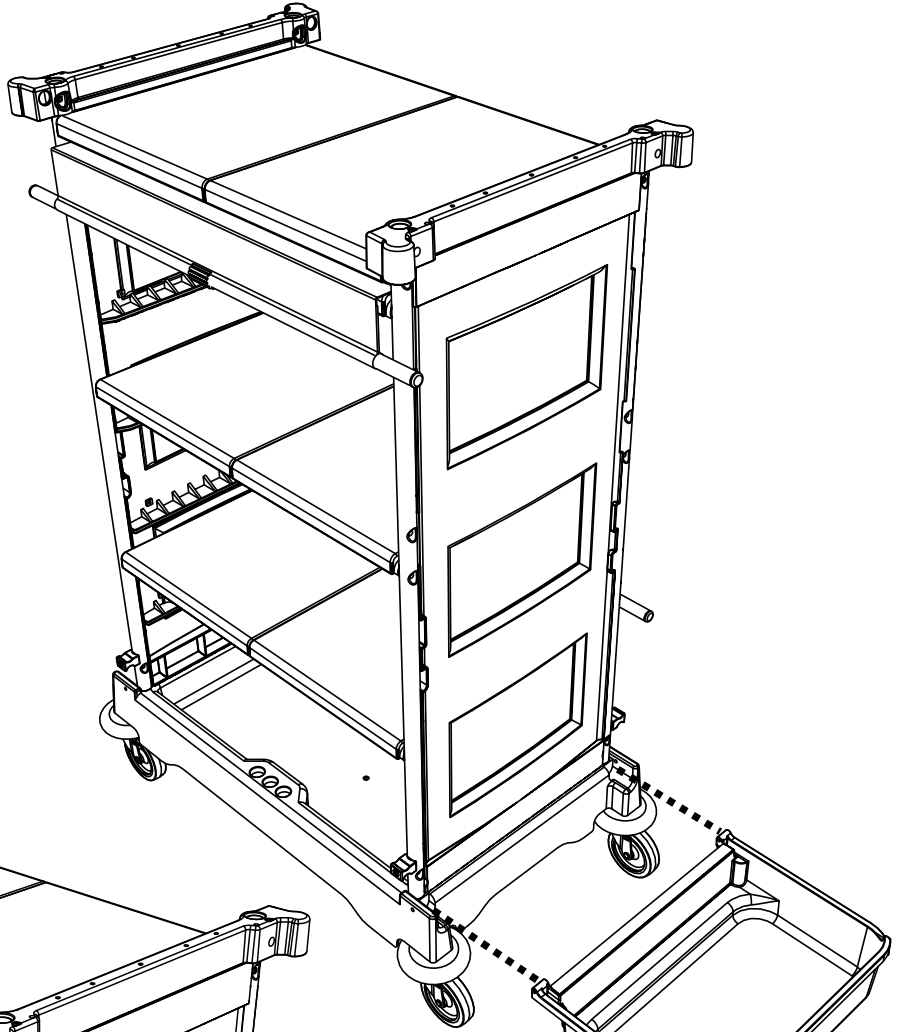


NKT1-NKT2

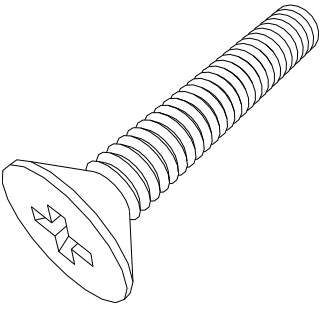
221150
M5 X 45



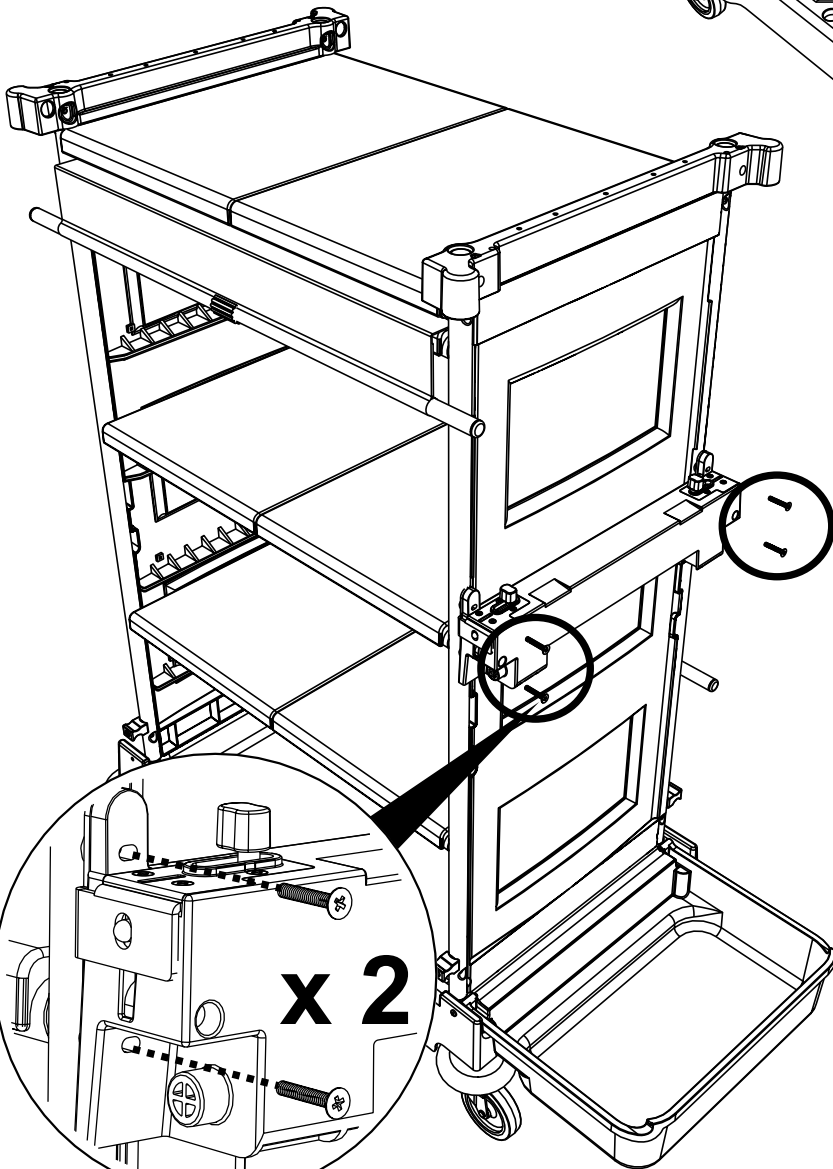
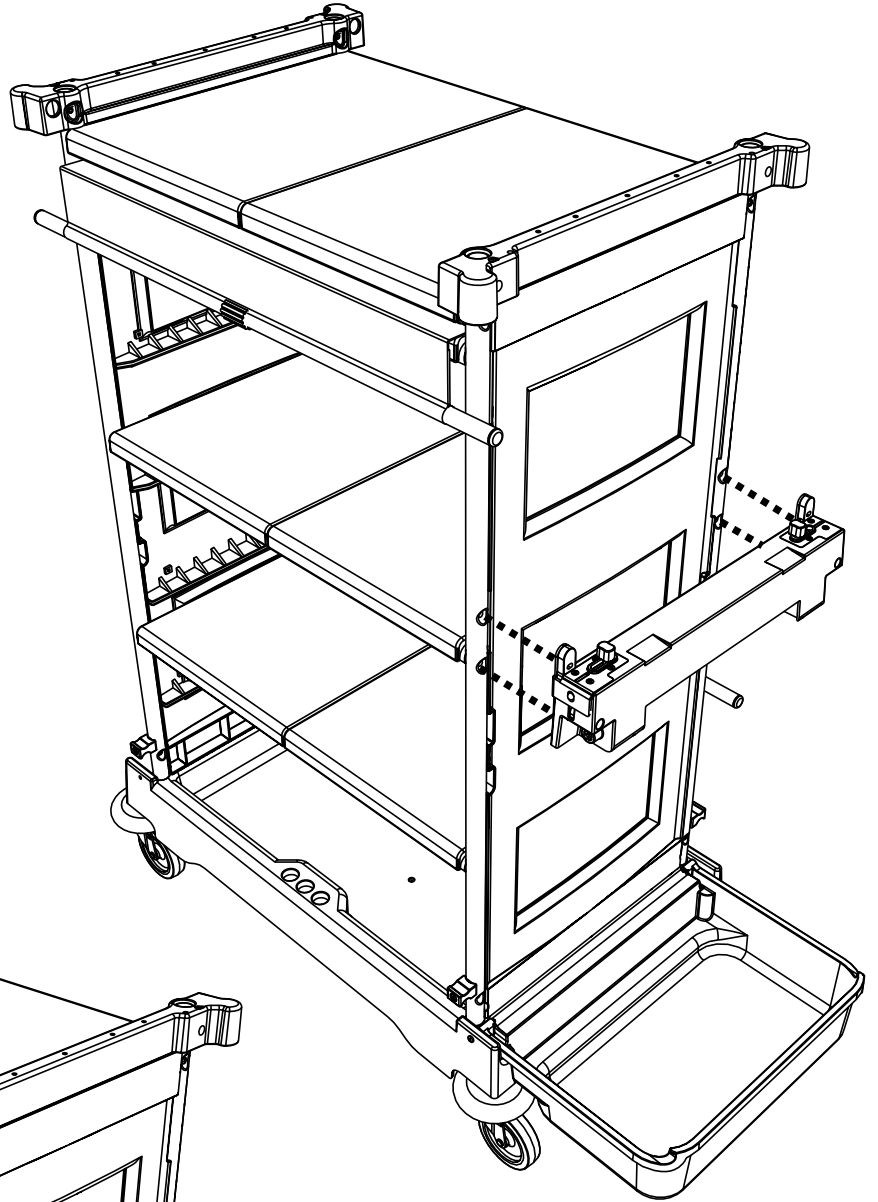
x 2



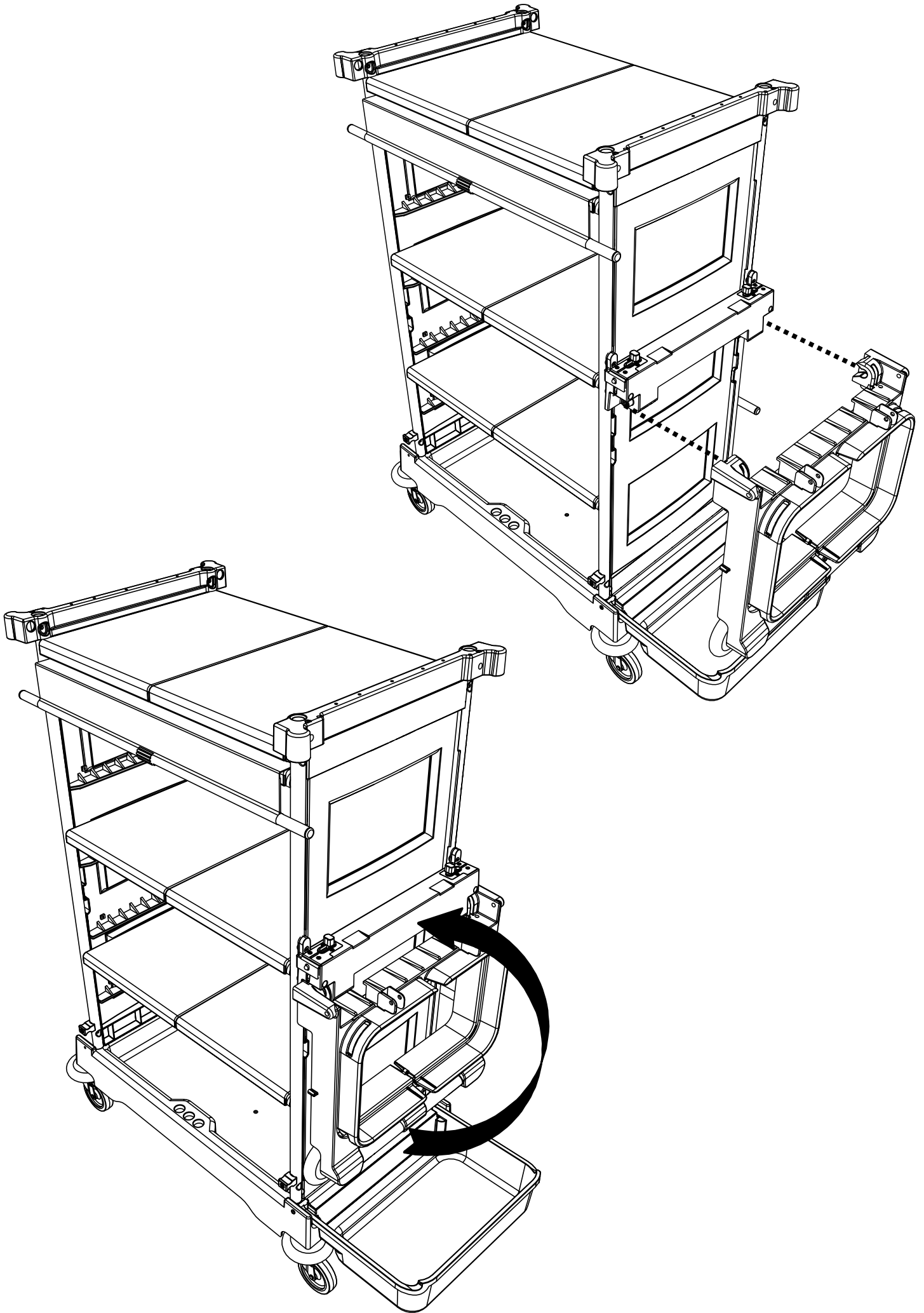
904520
M5 X 30

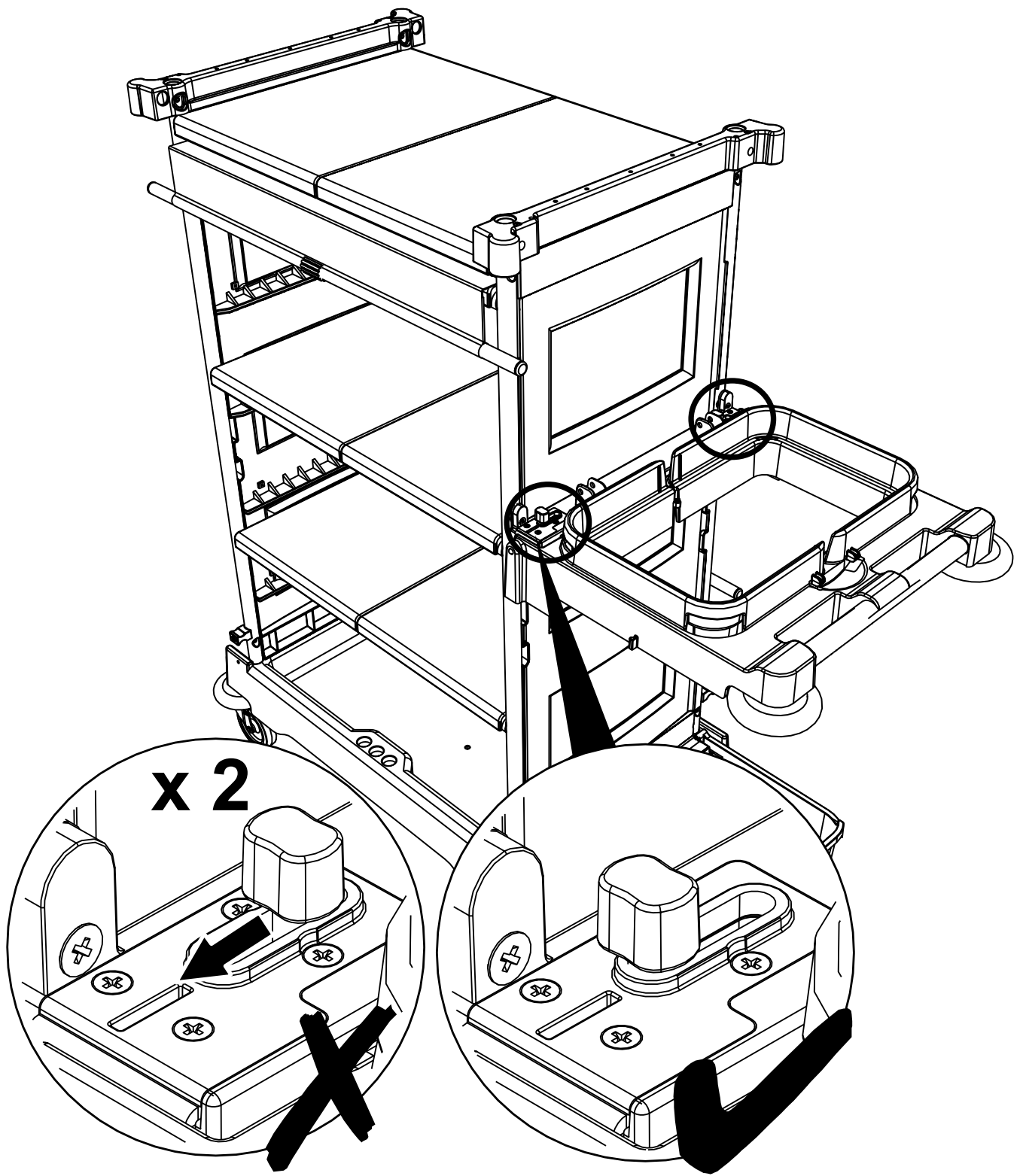


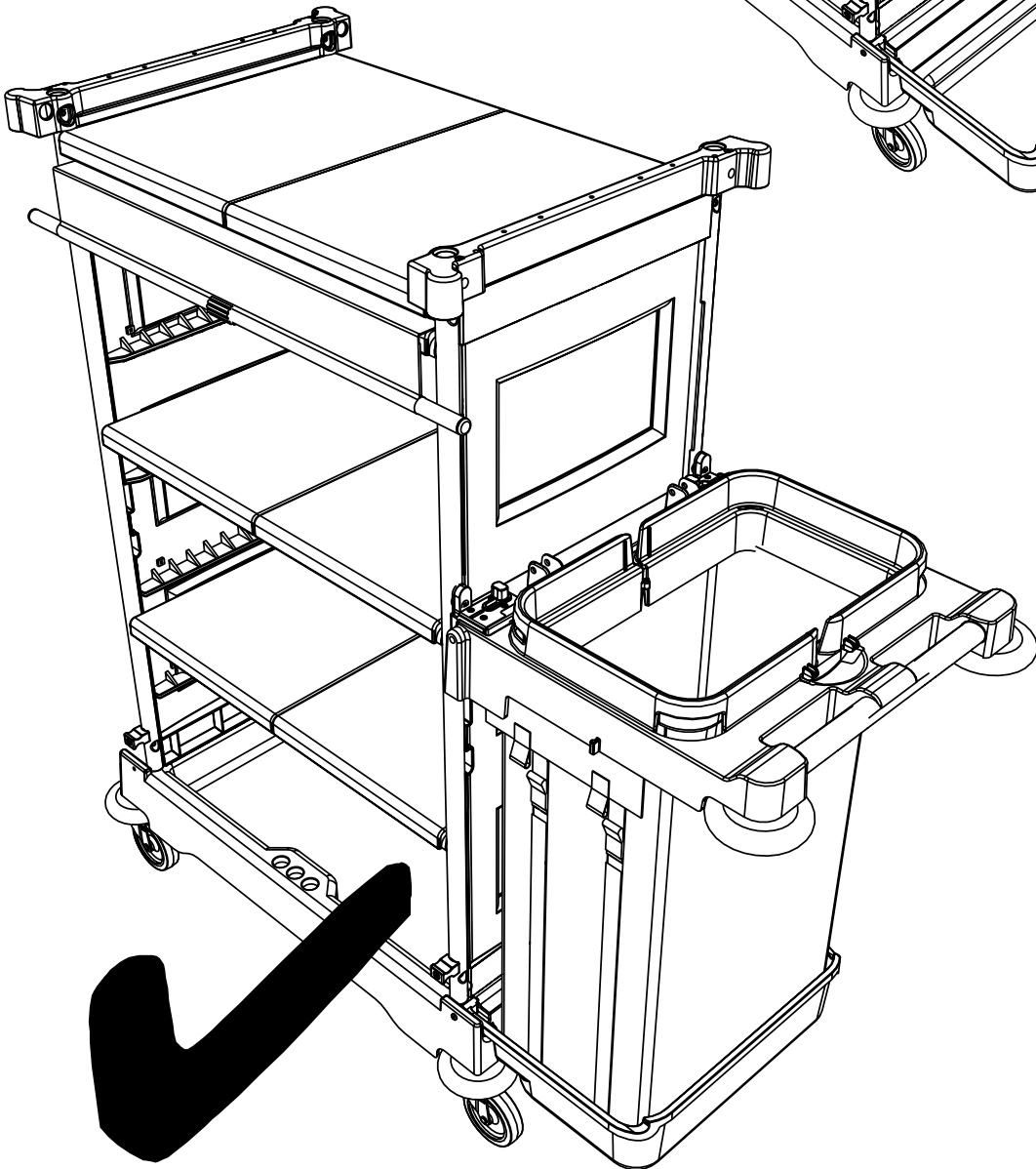
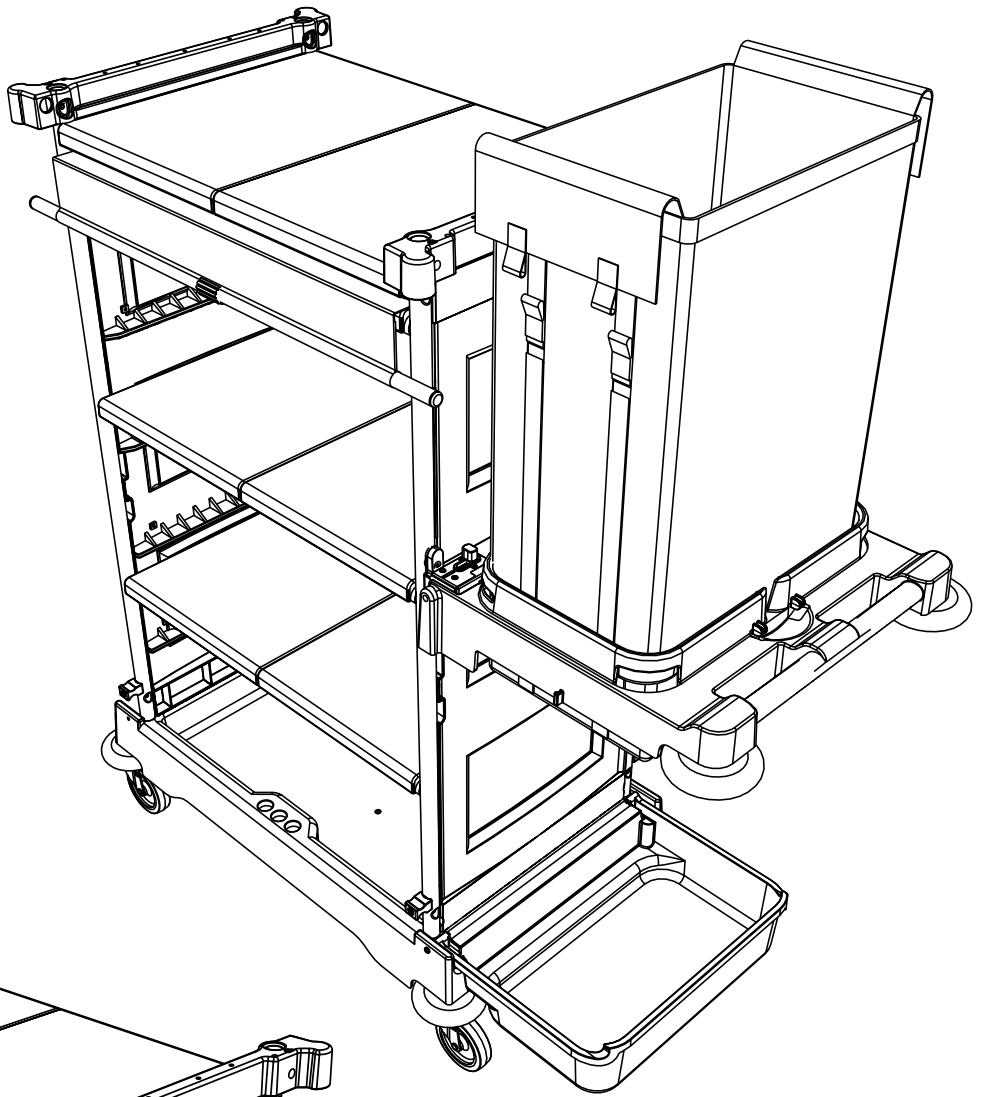
x 4



x 2







NKT2

